

# Kerotest Needle and Gauge Valves

## 300 Gauge Valve



### Product Brief

A rugged, forged construction delivers dependable, leak-free performance at high and low pressures. Designed to measure and regulate flow in processing plants and oil and gas production applications, these valves perform in tight spaces and resist low-level corrosiveness. With optional trim, they also resist sour fluid environments, caustic liquids and corrosive media.

### Features/Benefits

- **Maximum operating pressure:** 10,000 psi @ 100° F (38° C).
- **Operation:** Bubble-tight shutoff for liquids or gas from 6,000 psi to 10,000 psi.
- **Body:** Forged carbon steel, quality construction.
- **Flow:** Accurate flow control.
- **Temperature limits:** Teflon® packing, Maximum temperature: 500° F (260° C).
- **Stem material:** 416 Stainless steel. Precision-machined, heat-treated stem prevents sulfide stress cracking.
- **Handle:** Two-prong or easy-grip T-handles.
- **Connection:** Threaded pipe ends per ANSI B1.20.1.
- **Finish:** Stainless steel and clear zinc plating.
- **Assembly:** Integral bonnet, replaceable seat assembly.
- **Safety:** Integral back-seated stem prevents accidental removal.



*An Employee-Owned Company*

# Kerotest Needle and Gauge Valves

## 300 Gauge Valve

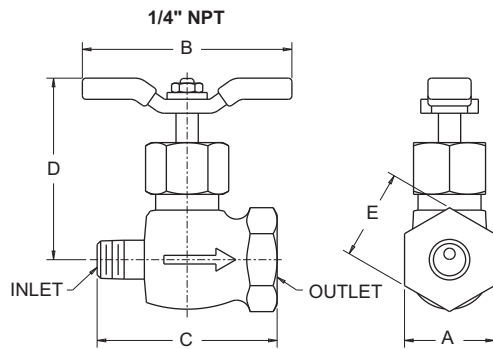
### Ordering Code/Specifications

Size	Catalog Number	Inlet Size Outlet Size	Body Material	Stem Material	Max. Temp.	Bonnet Type	Approx. Weight (lbs)
1/4"	P-300N-35-002	1/4" Male NPT 1/4" Female NPT	ASTM-A108 AISI 1045 Carbon Steel	ASTM-A582 416 Stainless Steel	500° F 260° C	Integral	1.00
1/2"	P-300N-35-004	1/2" Male NPT 1/2" Female NPT					1.50

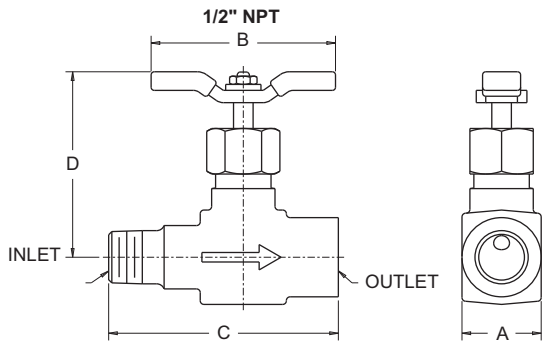
**Note:** Union Bonnet Design (310N) available on request.

### Dimensions

**Note:** Approximate dimensions in Inches (mm).



	A	B	C	D	E
Size	Width	Handle Width	End-to-End	CL-to-Top (Open)	Hex Flat-to-Flat
1/4"	1.25 (31.8)	3.00 (76.2)	2.50 (63.5)	2.56 (65.0)	1.25 (31.8)
1/2"	1.25 (31.8)	3.00 (76.2)	3.63 (92.2)	2.97 (75.4)	—



All product names referenced herein are trademarks of their respective companies.



**Kerotest Manufacturing Corp.**  
 5500 Second Avenue • Pittsburgh, PA 15207  
 412.521.7688 • Fax: 412.521.5990  
 www.Kerotest.com • Sales@Kerotest.com