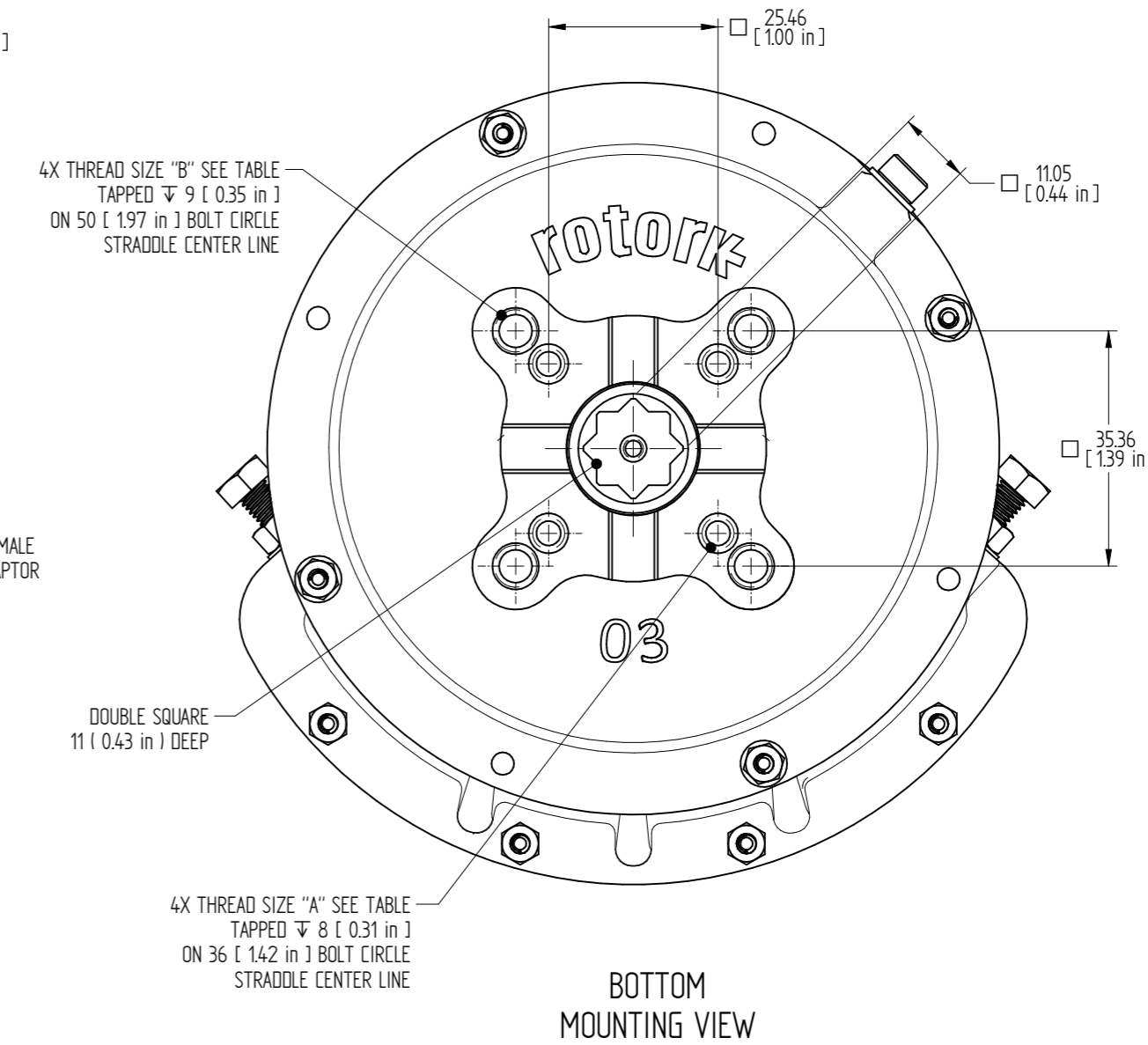
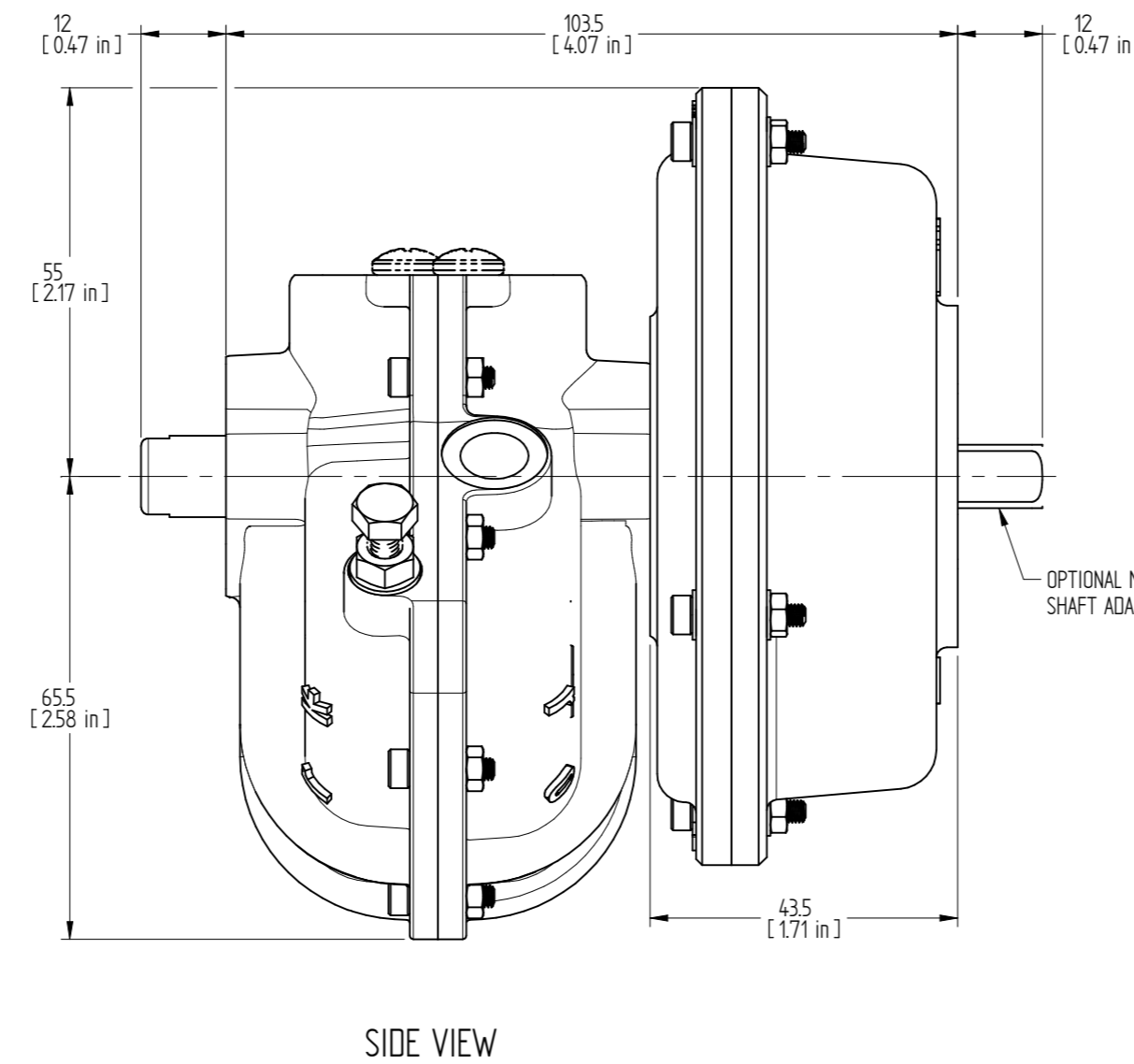
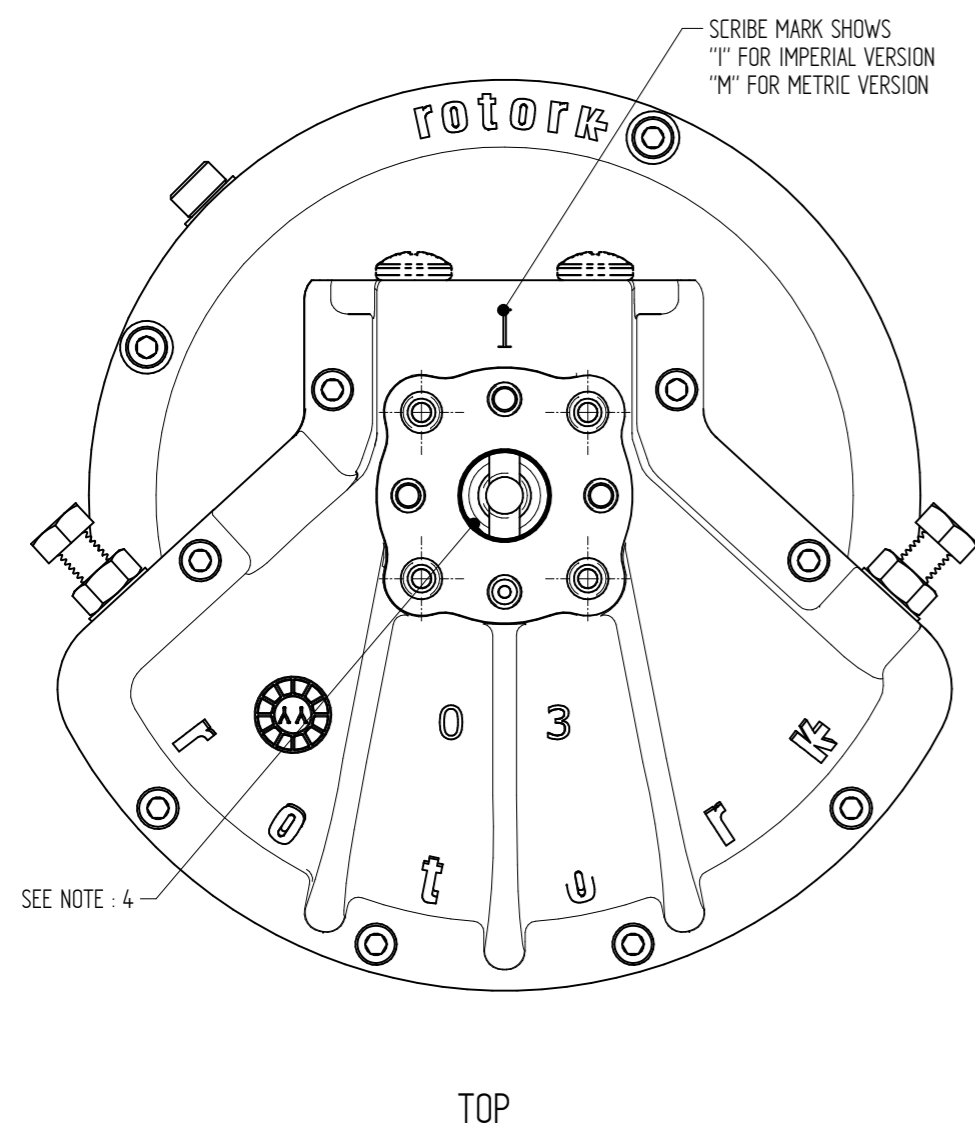
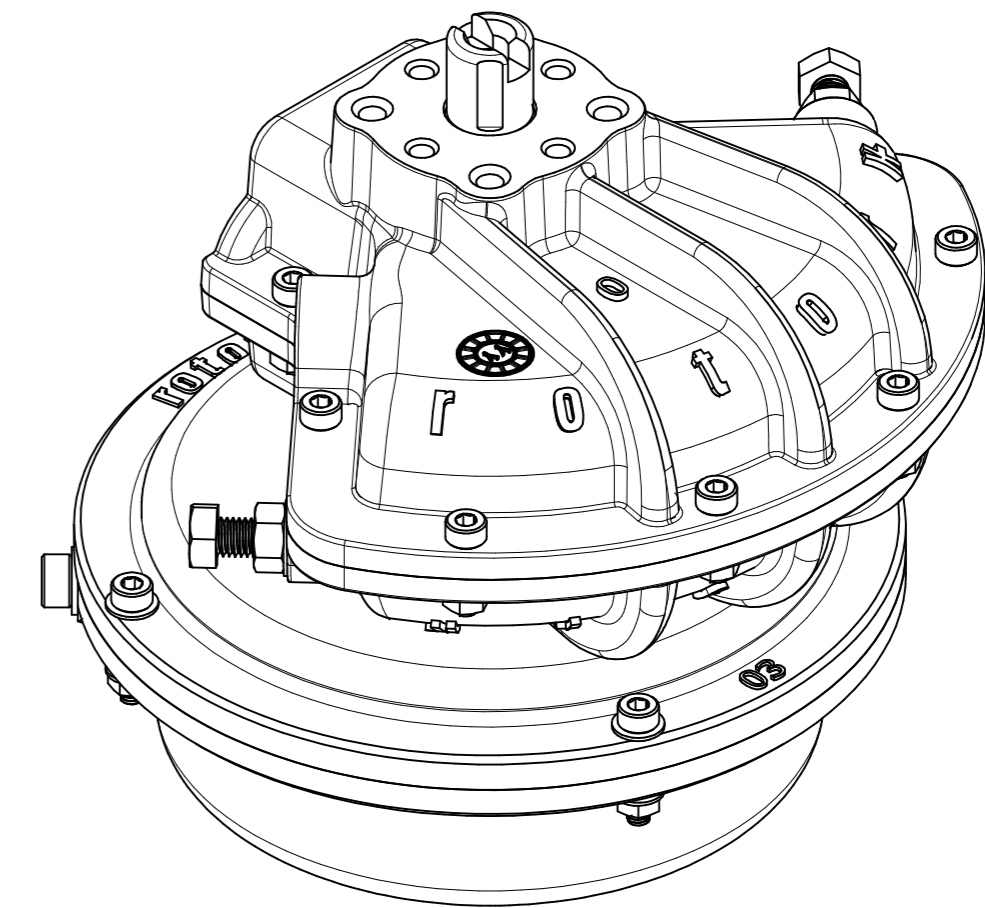
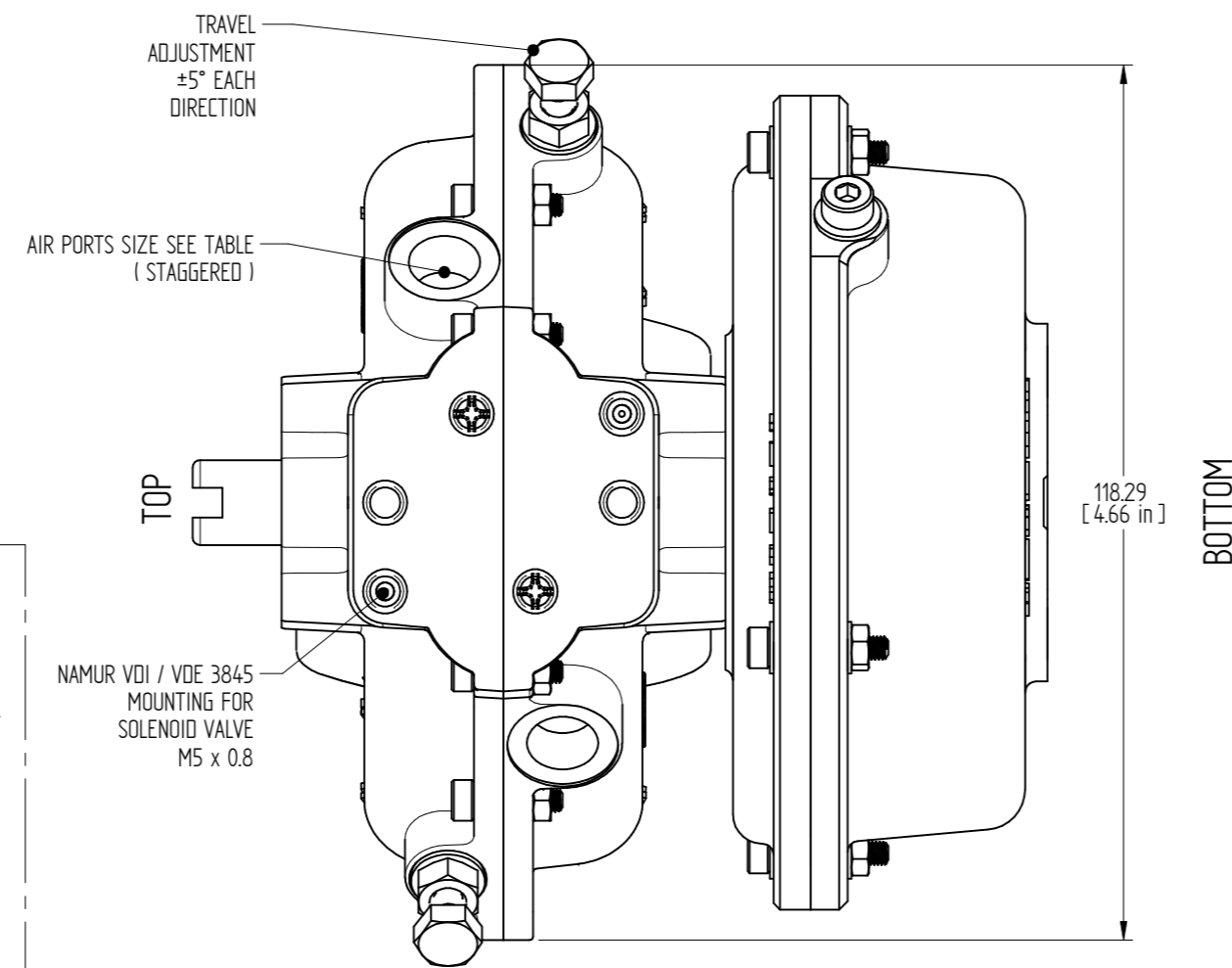
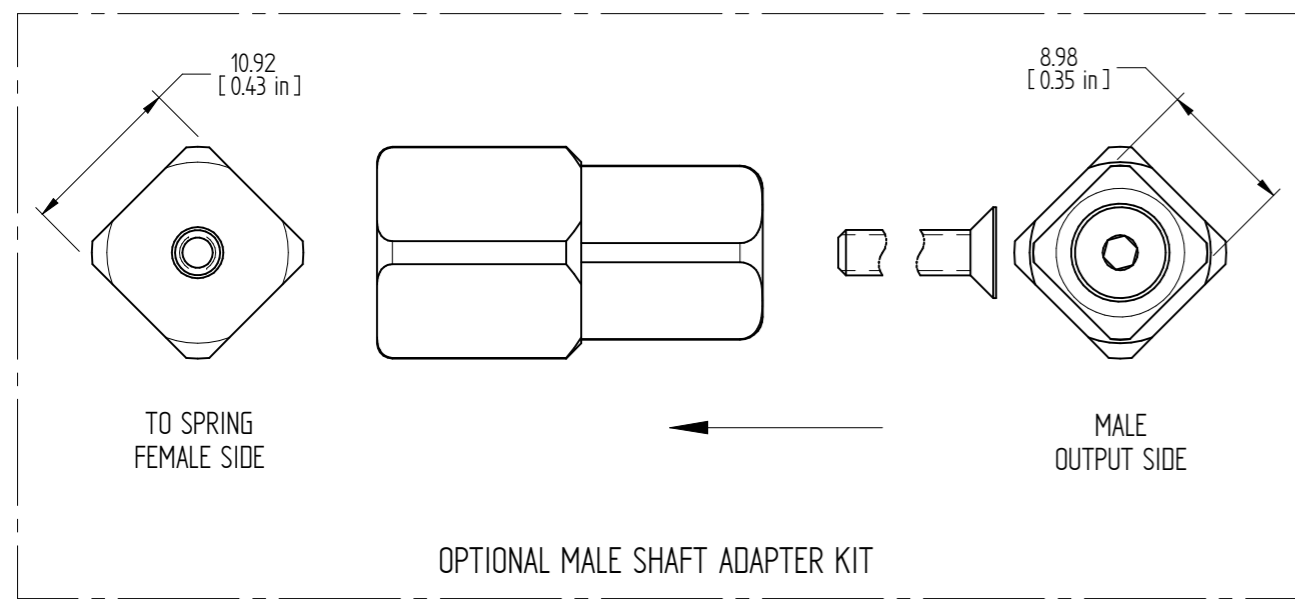


- NOTES:
1. MAX. ALLOWABLE OPERATING PRESSURE (MAOP) = 7 BAR (100 PSIG)
 2. WARNING - SEE ROTORK INSTALLATION, OPERATION & MAINTENANCE MANUAL BEFORE MOUNTING, INSTALLING OR SERVICING.
 3. SPECIFY SUPPLY AIR PRESSURE FOR SPRING-RETURN ACTUATOR.
 4. ACTUATOR SHOWN IN FULL CW POSITION, FLAT ON SHAFT SHOWS VANE LOCATION. POSITION (SPRING END / AIR START).
 5. SPECIFY SPRING DIRECTION , CW STANDARD.
 6. WEIGHT 133 KG (2.93 LB.)

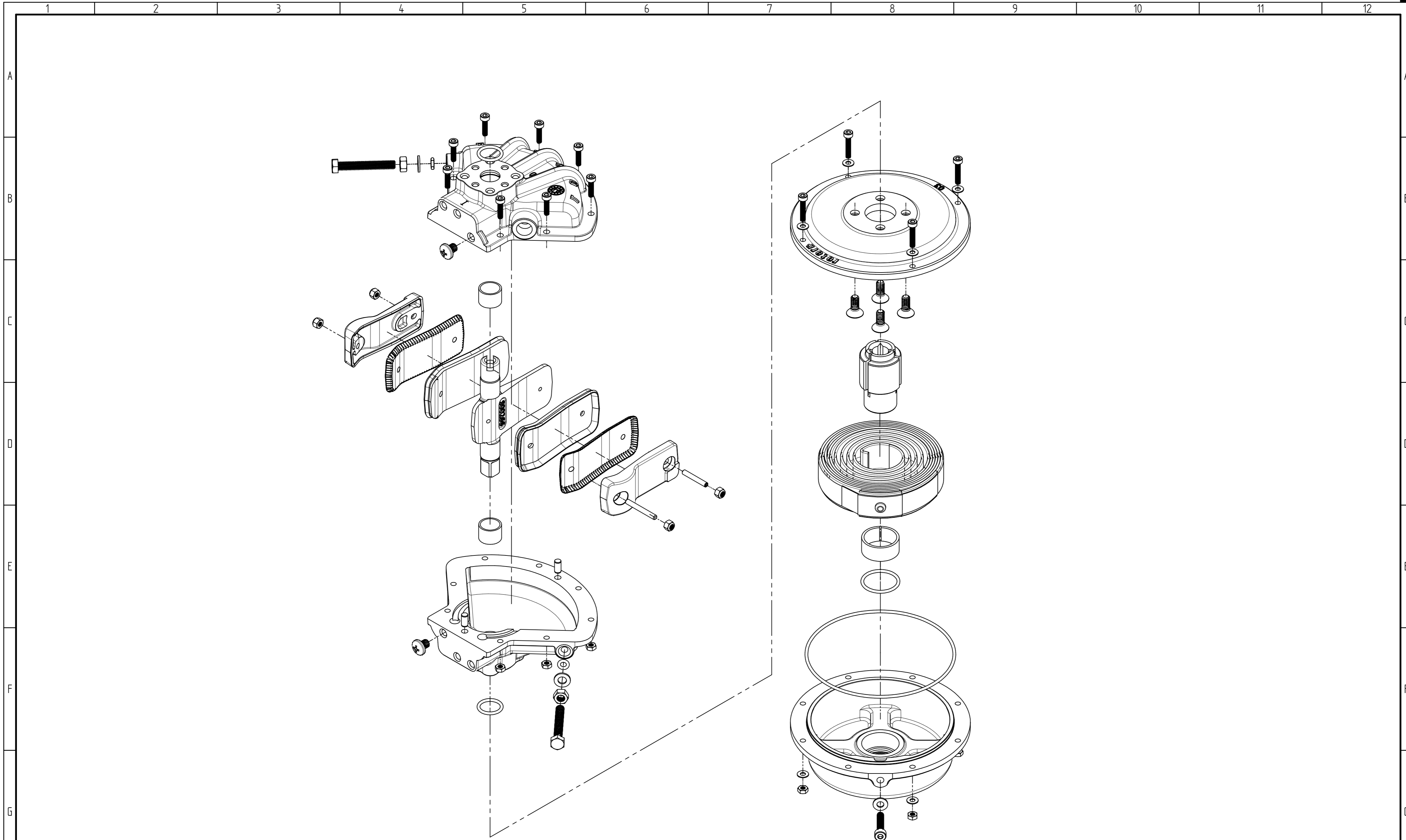
	IMPERIAL	METRIC
THREAD SIZE "A"	#10-24 UNC	M5 x 0.8
THREAD SIZE "B"	1/4-20 UNC	M6 x 1
AIR PORT SIZE	1/8-27 NPT	G1/8



Rev	ECN	Revised	Approved	Date	Change Description
D		K.SEKAR	K.PRICE	04-AUG-2016	DIM. 118.29 WAS 125.26 (B7)
C		K.SATHEESH	K.PRICE	23-FEB-2016	EXPLODED VIEW ADDED IN SHEET2
B		K.SEKAR	K.PRICE	14-JUL-2015	DESCRIPTION UPDATED
A		K.SEKAR	K.PRICE	12-JUN-2015	PRE RELEASE

rotork
Dallas, Texas - USA
www.rotork.com

Document type		GENERAL ARRANGEMENT		Title	
KT-03-SR		IMPERIAL / METRIC AIR PORTS & MOUNTING HOLES		KT-03-SR IMPERIAL / METRIC AIR PORTS & MOUNTING HOLES	
Scale		1:1		Drawing Number	
Created		K.SEKAR 12-JUN-2015		D000000261	
Checked		S.SUDHIR 12-JUN-2015		Sheet 1 of 2	
Approved		K.PRICE 12-JUN-2015		Size A2	



	Document type: GENERAL ARRANGEMENT		Title: KT-03-SR IMPERIAL / METRIC AIR PORTS & MOUNTING HOLES	
	Dimensions in mm Scale: 1:15		Drawing Number: D000000261	
Dallas, Texas - USA www.rotork.com	Created: K.SEKAR Checked: S.SUDHIR Approved: K.PRICE	12-JUN-2015 12-JUN-2015 12-JUN-2015	Rev: D	Sheet 2 of 2 Size A2

Rev C