



Keeping the World Flowing  
for Future Generations



## Model 90 and 91

### Low / High Pressure Selector Relay

#### Features and Benefits

- Small, rugged design suitable for installation where space is limited
- Soft seat construction to assure positive shutoff
- Low selection differential to allow precise control of switching
- Fast response that is suitable for control in critical loops
- Automatic switching that eliminates manual monitoring of signal pressure

#### Operating Principles

The Model 90 Low Pressure Selector Relay is designed to select the lower of two signal pressures to provide a continuous output pressure to a control device. The Model 90 is recommended for dead end or low flow service in critical applications such as control loops requiring precise, automatic monitoring of signal pressures.

The Model 91 High Pressure Selector Relay is designed to select the higher of two signal pressures, and to provide a continuous output pressure (or pressure range) to a controller. The ability to precisely control switching and pressure monitoring make the Model 91 the logical choice in dead end or low flow applications such as precision control loops.

#### Specifications

##### Maximum Signal Pressure

- 200 psig, [14.0 BAR], (1400 kPa)

##### Minimum Switching Differential

- Less than .1 psig, [.007 BAR], (.7 kPa)

##### Maximum Differential between Signals

- 100 psig, [7.0 BAR], (700 kPa)

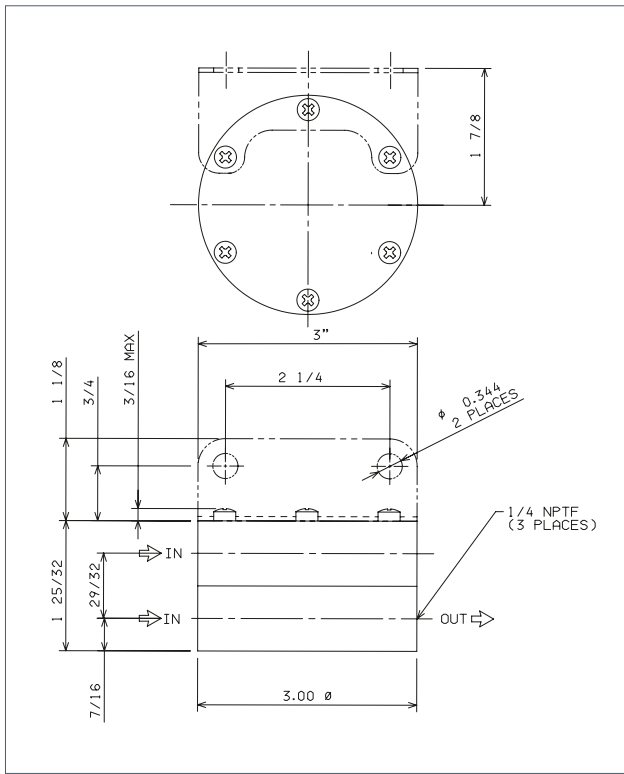
##### Ambient Temperature Range

- -40 to +200 °F, (-40 to +93.3 °C)

##### Materials of Construction

- Body: Aluminum Alloy
- Diaphragm: Dupont Fairprene-coated fabric
- Trim: Brass

### Dimensions



### Product Code

9 00 5 2 J

### Pressure Range

00 = 90 Low Pressure  
10 = 91 High Pressure

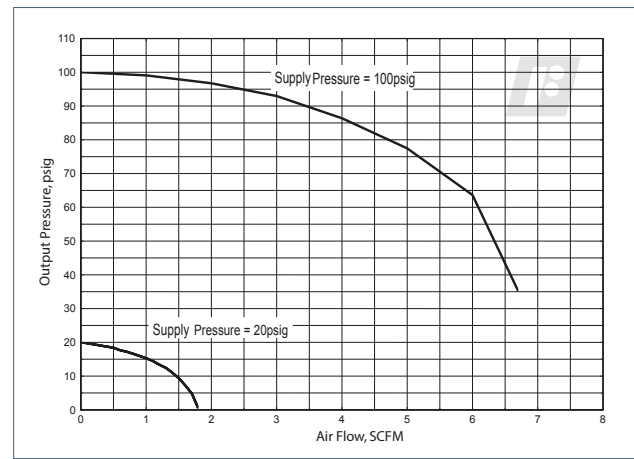
### Pipe Size

2 = 1/4" NPT

### Options

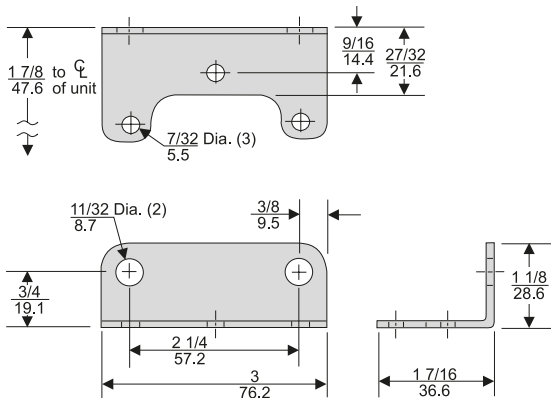
J = Fluorocarbon Elastomers  
U = BSPT (Tapered)

### Flow Characteristics (Model 90052)



### Mounting Bracket Kit

P/N 09921 (sold separately)



### Installation

Service Kits are available for the Model 90 and Model 91. Refer to the *Fairchild Model 90 and Model 91 Installation, Operation and Maintenance Instructions*, IS-30009091.

A full listing of the Rotork sales and service network is available on our website.

[www.rotork.com](http://www.rotork.com)

Rotork plc, Bath, UK  
tel +44 (0)1225 733200  
email [mail@rotork.com](mailto:mail@rotork.com)

Fairchild Industrial Products  
3920 West Point Blvd  
Winston-Salem, NC 27103  
tel +1 (336) 659-3400  
fax +1 (336) 659-9323  
email: [US-VS-CS@Rotork.com](mailto:US-VS-CS@Rotork.com)

**rotork®**

Electric Actuators and Control Systems  
Fluid Power Actuators and Control Systems  
Gearboxes and Gear Operators  
Precision Control and Indication  
Projects, Services and Retrofit