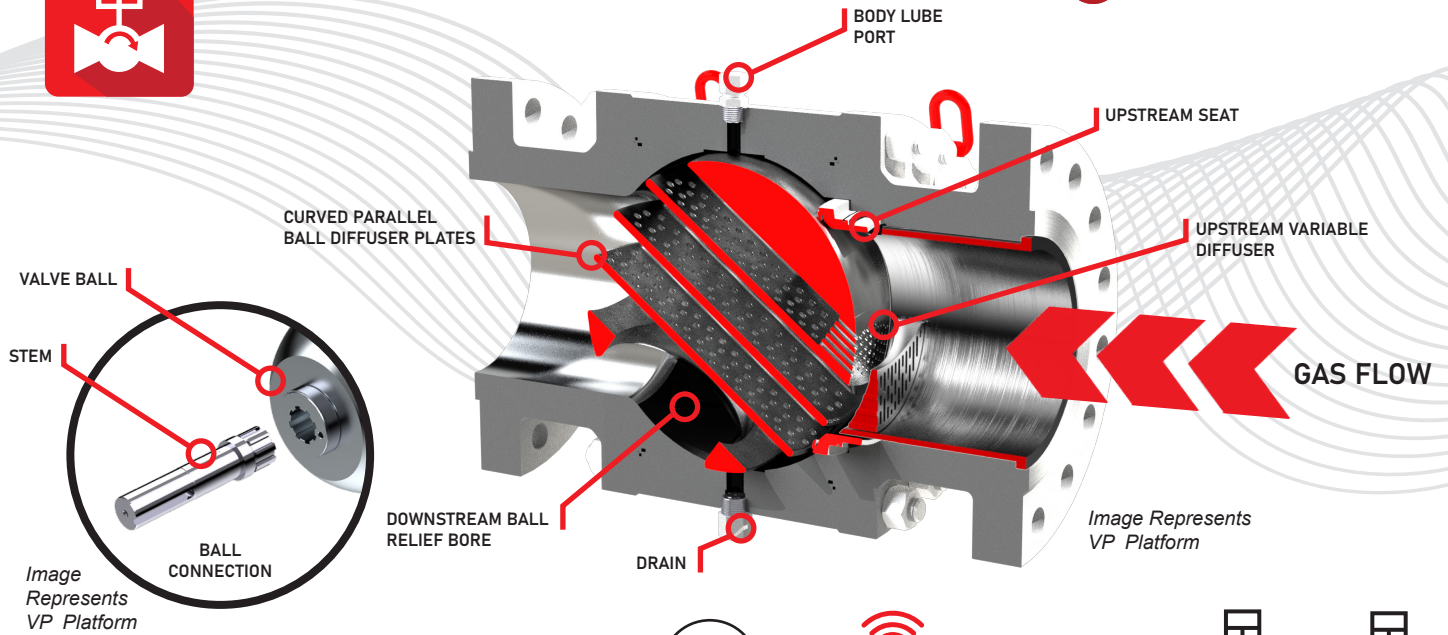
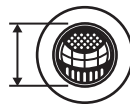




PIPELINE ROTARY CONTROL VALVES



PRCV-5TH5



SIZE RANGE
6 in to 12 in



MAX NOISE
ATTENUATION
27 dBA



MAX RANGE-ABILITY
300:1



BELOW
GROUND



ABOVE
GROUND

SPECS AND MATERIALS CONSTRUCTION

Size Range	6 in to 12 in
Max Noise Attenuation	27 dBA
Relative Capacity	High Capacity
Max Range-Ability	300:1
Shutoff	Class V

Design Standard	ASME B16.5 & B16.34 API 6FA / PED Compliant
Face-Face Dimensions	API-6D
Flange Dimensions	ASME B16.5
PED / ATEX / CE	Standard
ANSI Range	150 – 1500 ANSI
End Connections	RFFE, Weld, RTJ, Combo
Trim Type	Stealth Trim, Level 5
Performance Trim Technology	Upstream Variable Diffuser Upstream Fixed Diffuser Curved Parallel Ball Diffuser Plates Downstream Ball Relief Hole
Max Control ΔP	1440 psid
Max Shutoff ΔP	FULL ANSI ΔP
Compatible Buried Applications	YES
Flow Profile Curve	Hyperbolic
Min Control Cv	0.33% Max Cv
Max Control Cv	85% Max Cv
Seats	1X Upstream Metal Seats Std Double Piston Effect
Compatible Actuators	VRG RHPA-DA VRG RHPA-SR Electric Actuators Electro-Hydraulic Actuators Other Manufacturers

Base Platform	VP
Control Valve Specs	Per VRG PRCV Specifications
Body (Forged)	A350 LF2
Stem	17-4PH SS
Ball	ASTM A694-F60 + 6.0 mil TCC PRCV Control Specification
Lubrication	Mobil SHC220 OR Valtex 2000
Stem Seal	PTFE V-PACK
Stem Injection	Stem Inject & Opposing Stem Relief Port
Body Drain	Rotate 90° From Stem - Qty 2 Opposed
Seat Ring	ASTM A182 F6NM + 6 mil TCC - Standard A350 LF2 + 3 mil ENP - Optional VRG Spec Seat Springs

MATERIALS OF CONSTRUCTION	
Seat Seal	ASTM A182 F6NM + 6 mil TCC - Standard DELTRIN Molded Profiled Insert - Optional
O-Rings	VITON GLD
Firesafe Seals	GRAPHITE
High Performance Trim	17-4PH SS OR INCONEL
Final Assembly and Test	ITALY
Country Origin	ITALY

8 - Applies to Type VP Platform

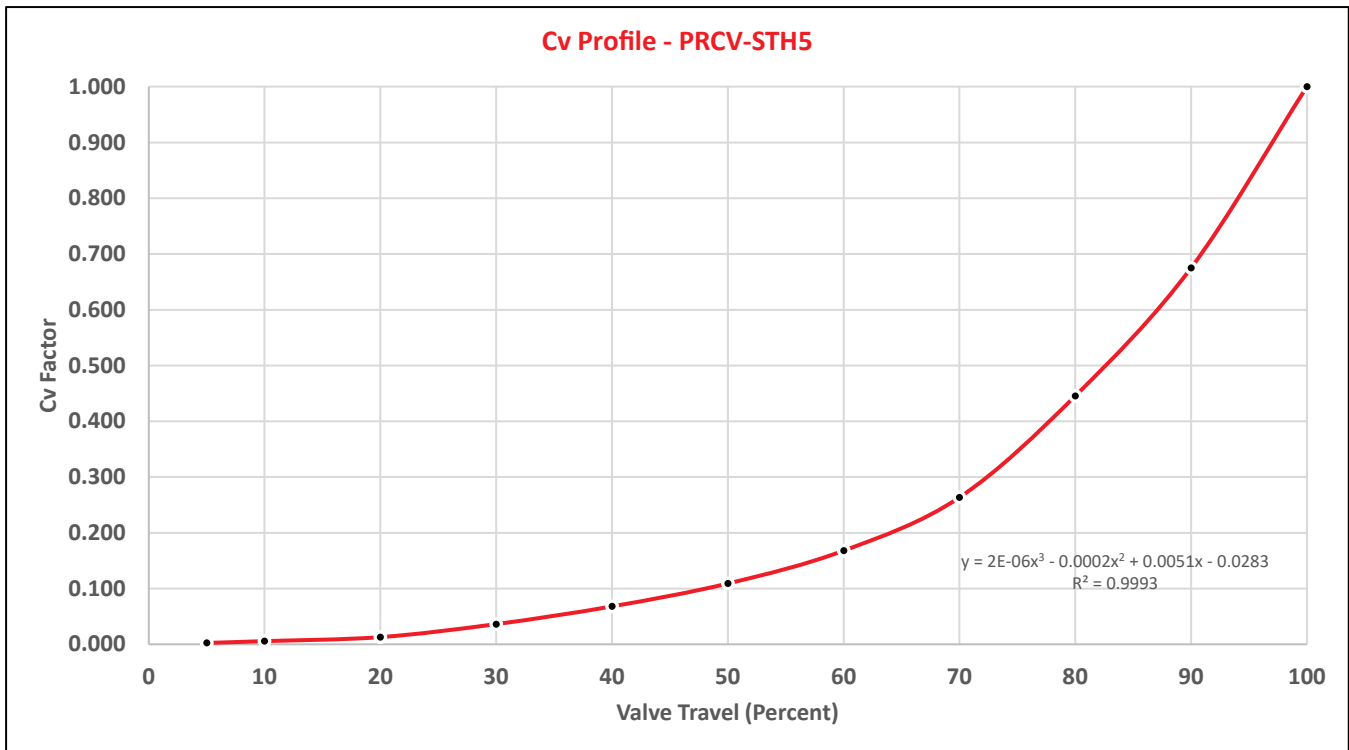


CV PROFILE

PERCENT TRAVEL

PRCV-STH5	MIN	5	10	20	30	40	50	60	70	80	90	100
Cv Factor	0.003	0.003	0.006	0.013	0.036	0.068	0.109	0.168	0.264	0.445	0.675	1.000
6	1.6	1.6	3.5	7.8	21.9	40.9	65.5	100.9	158.1	267.3	405.0	600
8	3.3	3.3	7.3	16.2	45.2	84.6	135.5	208.6	327.1	552.8	837.7	1241
10	5.3	5.33	11.90	26.36	73.43	137.36	220.04	338.71	531.07	897.59	1360.18	2015
12	6.5	6.5	14.5	32.1	89.4	167.1	267.8	412.2	646.2	1092.3	1655.2	2452
16	11.5	11.5	25.7	57.0	158.8	297.1	476.0	732.7	1148.9	1941.7	2942.4	4359
20	18.0	18.0	40.2	89.1	248.2	464.3	743.8	1144.9	1795.1	3034.0	4597.6	6811
24	25.9	25.9	57.9	128.3	357.4	668.6	1071.0	1648.7	2585.0	4369.0	6620.7	9808
<i>Xt</i>	<i>0.862</i>	<i>0.865</i>	<i>0.862</i>	<i>0.859</i>	<i>0.852</i>	<i>0.841</i>	<i>0.829</i>	<i>0.820</i>	<i>0.811</i>	<i>0.778</i>	<i>0.649</i>	<i>0.278</i>
<i>Fl</i>	<i>0.962</i>	<i>0.972</i>	<i>0.962</i>	<i>0.946</i>	<i>0.933</i>	<i>0.923</i>	<i>0.921</i>	<i>0.923</i>	<i>0.918</i>	<i>0.876</i>	<i>0.753</i>	<i>0.493</i>

Cv PROFILE - PRCV-STH5



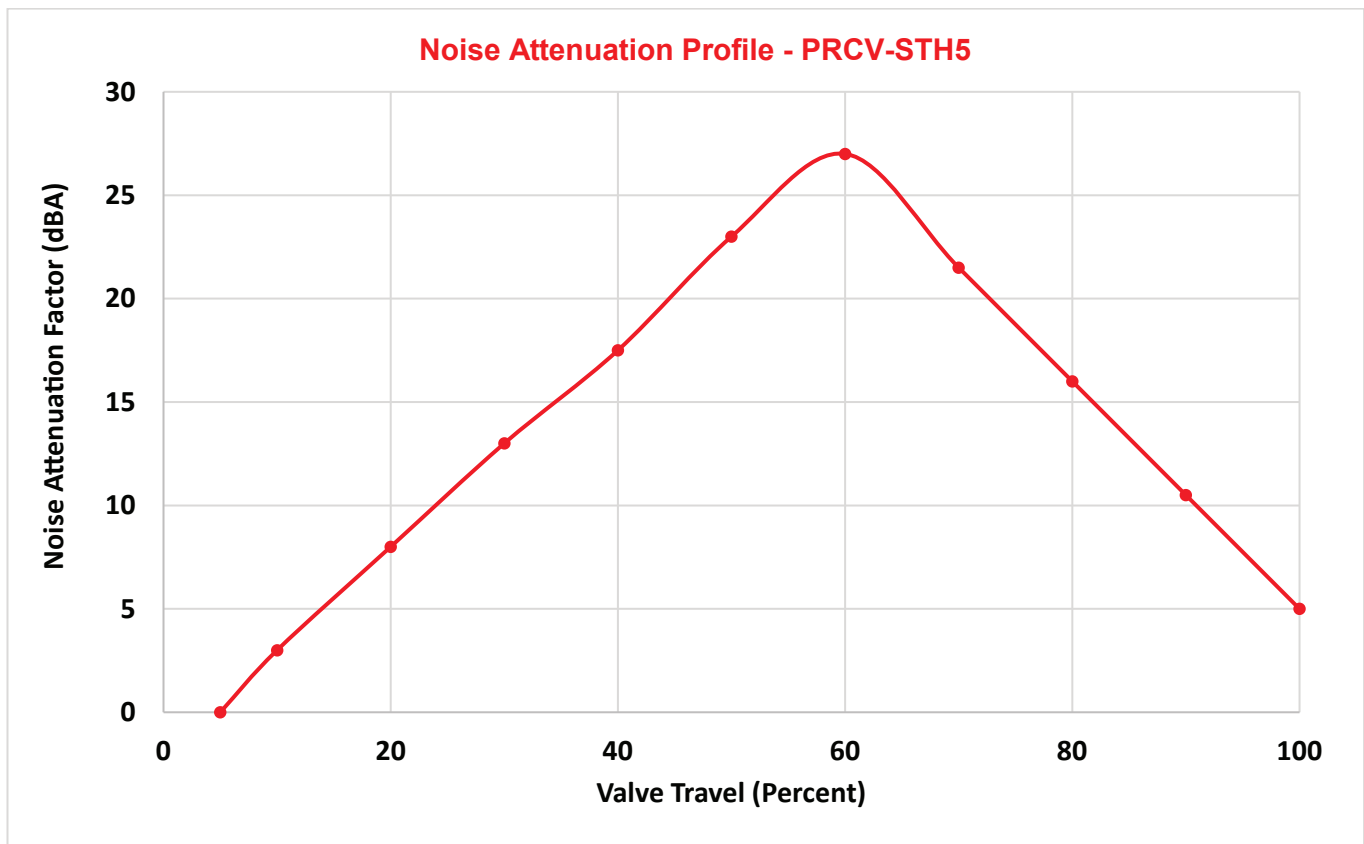


NOISE ATTENUATION (DBA)

Noise Attenuation (dBA) vs. Rotation of PRCV Control Valve

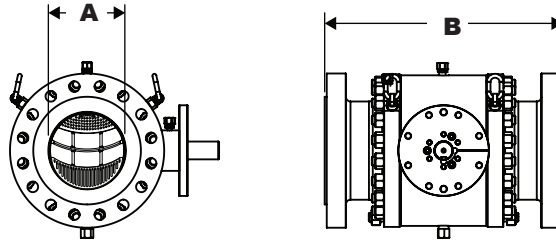
Percent Rotation	0	5	10	20	30	40	50	60	70	80	90	100
PRCV-STH5		0	3	8	13	17.5	23	27	21.5	16	10.5	5

Noise Attenuation (dBA) vs. Rotation of PRCV Control Valve





PIPELINE ROTARY CONTROL VALVES
PRCV-STH5



PRCV-STH5 Series Face to Face Dimensions (RFFE)

A Size (Bore)		B 150 ANSI		B 300 ANSI		B 600 ANSI		B 900 ANSI		B 1500 ANSI	
Inches	(mm)	Inches	(mm)	Inches	(mm)	Inches	(mm)	Inches	(mm)	Inches	(mm)
6"	150	15.5	394	15.875	403	22	559	24	610	28	711
8"	200	18	457	19.75	502	26	660	29	737	32.75	832
10"	250	21	533	20.375	518	31	787	33	838	39	991
12"	300	24	610	25.5	648	33	838	38	965	44.5	1130
16"	400	30	762	33	838	39	991	44.5	1130	54.5	1384
20"	500	36	914	39	991	47	1194	52	1321	65.5	1664
24"	600	42	1067	45	1143	55	1397	61	1549	80.5	2045

PRCV-STH5 Series Standard Weights (RFFE) - VP PLATFORM

Size (Bore)		150 ANSI		300 ANSI		600 ANSI		900 ANSI		1500 ANSI	
in	mm	Lbs.	kg	Lbs.	kg	Lbs.	kg	Lbs.	kg	Lbs.	kg
4"	100	190	86	220	100	303	137	397	180	406	184
6"	150	402	182	444	201	623	283	807	366	1087	493
8"	200	583	264	763	346	1059	480	1435	651	1838	834
10"	250	1053	478	1188	539	1794	813	2399	1088	3497	1586
12"	300	1558	707	1749	793	2488	1129	3253	1475	5286	2398
16"	400	2702	1225	3318	1505	4215	1912	5123	2324	10111	4586
20"	500	4719	2140	5134	2329	6389	2898	9774	4434	15199	6894
24"	600	7174	3254	8093	3671	12285	5572	15759	7149	25892	11745