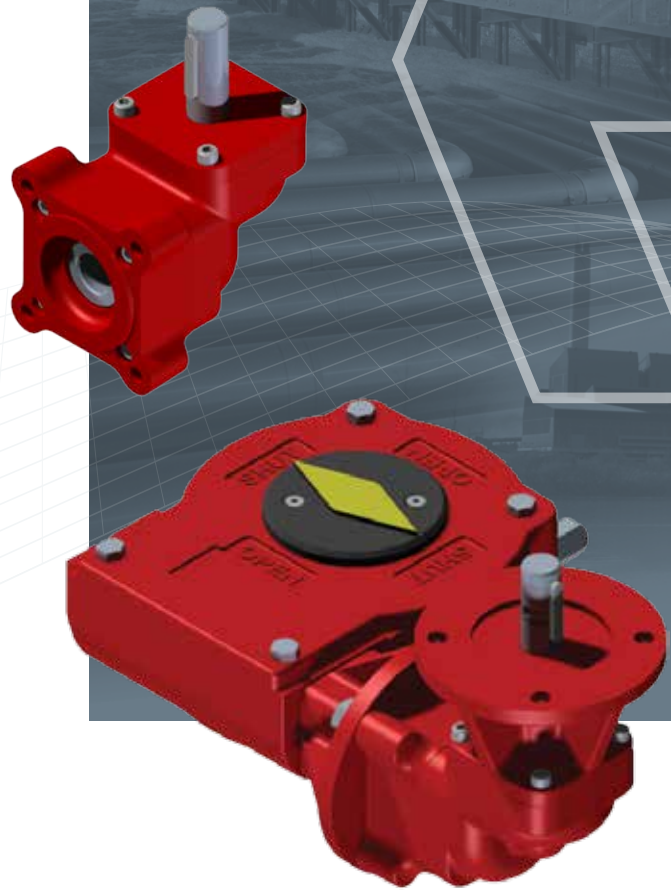


rotork®

Gears

W100 Multi-turn

1:1 manual bevel gearbox for 90° shaft direction changing



W100 Multi-turn

The W100 range has two versions, the MW100 and the DMW100.

The MW100 gearbox is designed as a stand-alone module to fit to AB and IW gearboxes with F10 input flanges. It is also suitable for other manual gearbox ranges that can be fitted with F10 input flanges.

The DMW100 gearbox mounts directly to AB gearbox sizes AB210 to AB1250. This option is more compact but does require the DMW100 components to be built up onto the AB unit.

Application

The W100 gearbox has been designed primarily to be used on AB and manual duty IW series gearboxes to change the input shaft direction by 90° for underground applications.

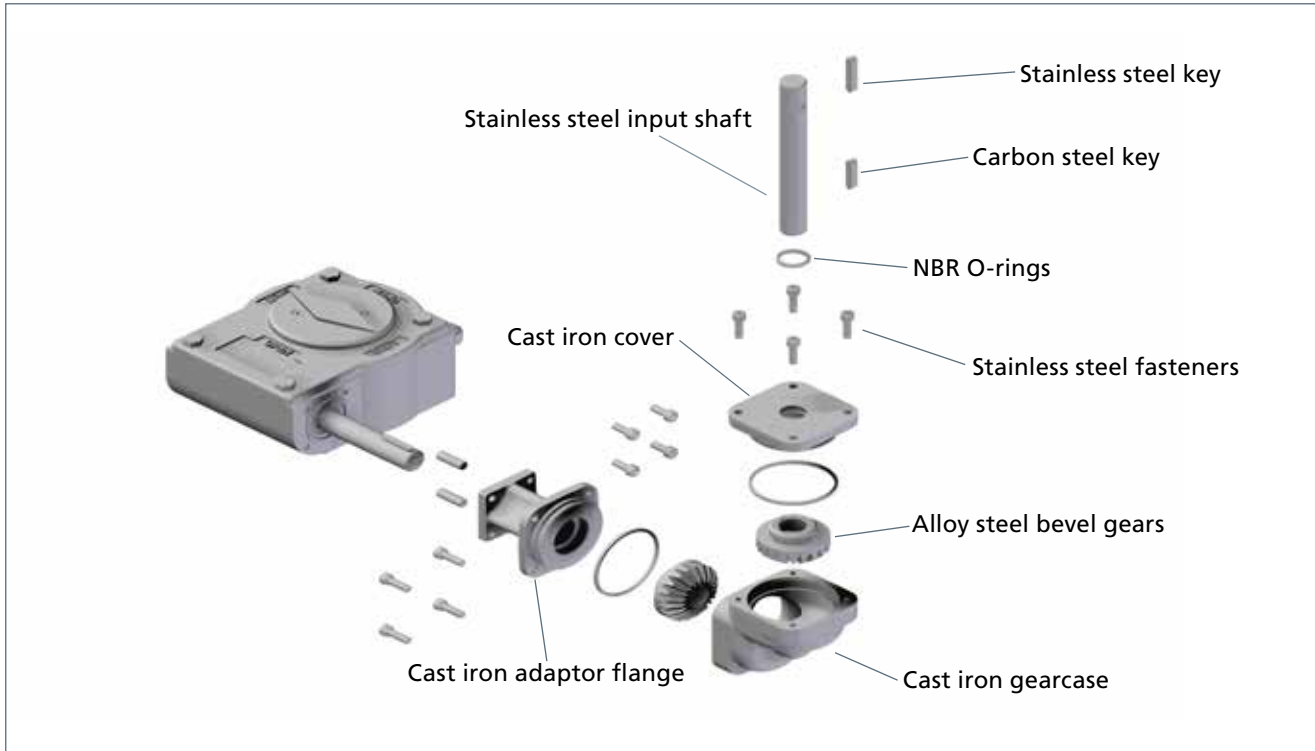
Features

- Stainless steel 316 input shaft & fasteners
- Cast iron housing.

Environmental Specification

- Sealed up to IP68
- Temperature range: -40 to +120 °C (-40 to 250 °F).

Redefining Flow Control



Gearbox Sizing Chart

Type	Ratio	Output torque Nm (lbf.in)	M.A.* ±10%	Input Shaft Diameter mm (inch)	Max bore mm (inch)	Input Options	Output	Weight Kg (lb)	Max Stem Height mm (inch)
MW100	1:1	152 (1345)	0.75	20 (0.79)	20 (0.79)	Manual F10/FA10	ISO F10 or MSS FA10	5.3 (11.7)	56 (2.21)
DMW100	1:1	152 (1345)	0.75	20 (0.79)	20 (0.79)	Manual F10/FA10	to suit AB210, 215,550,880 & 1250	3.7 (8.2)	56 (2.21)

*The published M.A. is achieved after a few cycles.

Rotork Gears BV
Nijverheidstraat 25
7581 PV Losser
P.O. Box 98
7580 AB Losser
The Netherlands

tel +31 (0)53-5388677
fax +31 (0)53-5383939
email info@rotorkgears.nl

Rotork Gears UK
9 Brown Lane West
Holbeck
Leeds
West Yorkshire LS12 6BH
England

tel +44 (0)113 2567922
email sales@rotorkgears.com

Rotork Gears Americas
1811 Brittmoore
Houston
Texas 77043
USA

tel +1 713 983 7381
fax +1 713 856 8022
email gears@rotorkgears.com

Rotork Gears S.R.L.
via Olona, 65/67
20015 Parabiago (MI)
Italy

tel +39 0331 552128
fax +39 0331 553147
email info@rotorkgears.it

Rotork Gears Shanghai
No. 260 Lian Cao Road
Xin Mei Urban Industrial Park
Min Hang District
Shang Hai 201108
China

tel 0086-21-33236200
fax 0086-21-64348388
email info@rotorkgears.com.cn

A full listing of our worldwide
sales and service network is
available on our website at

www.rotork.com

Rotork Gears India
165/166, Bommasandra,
Jigani Link Road,
Kiadb Industrial Area,
Anekal Thaluk, Jigani Hobli,
Bangalore 562106

tel +91 80 3098 1600
fax +91 80 3098 1610
email sales@rotork.co.in

Rotork Valvekits
Brookside Way
Nunn Park
Huthwaite
Nottinghamshire NG17 2NL
England

tel +44 (0)1623 440211
fax +44 (0)1623 440214
email sales@rotorkvalvekits.com

Rotork Valvekits Americas
Renfro Associates Inc
501 South 12th Street
Broken Arrow, OK
74012
USA

tel +1 (918) 259-8100
fax +1 (918) 259-9167
email info@renfroassociates.com