



Tornado™ Model 602 Installation & Operation Instructions



Manufacturing Contact Information

A+ Corporation, LLC *Call for expert product application assistance:*
41041 Black Bayou Rd. Phone: (225)-644-5255 Website: www.geniefilters.com
Gonzales, LA 70737 Fax: (225)-644-3975 E-mail: sales@geniefilters.com

Safety Warnings

- ⚠ Failure to abide by any of the safety warnings below may result in equipment failure and serious injury or death.
 - ▶ Valve off the sample flow to depressurize the Tornado™ prior to starting maintenance.
 - ▶ Do not exceed any equipment pressure ratings.

Tools Required

No special tools are required for element replacement.

Technical Specifications

Technical Specifications

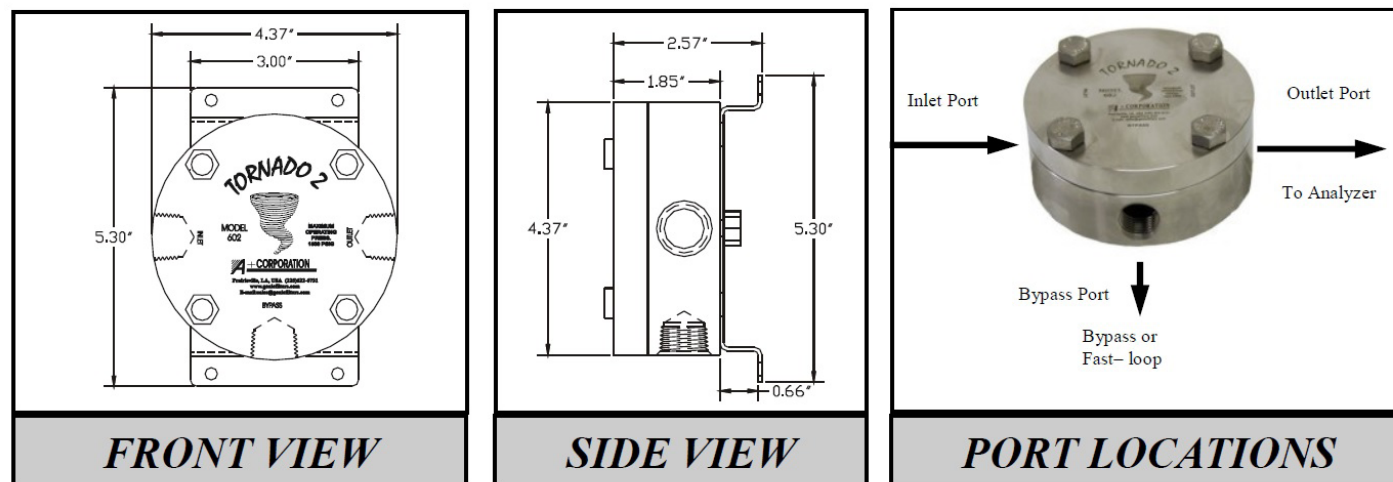
Maximum pressure rating	1,500 psig (103.4 barg)
Maximum temperature For higher temperatures, contact the factory.	300 °F (149 °C)
Bypass flow rate	Maximize for best performance Minimum: 1.5 gal/min
Port sizes	Inlet, Outlet, & Bypass 1/2" female NPT
Internal volume	70 cc
Wetted materials	Machined parts: 316/316L stainless steel / ISO 15156-3 compliant All other metal parts: stainless steel / ISO 15156-3 compliant Sealing material: Kynar®

Installation Instructions

Mount the Tornado vertically as shown in Figure 1.

- ▶ Note that the “bypass” port is located at the center-bottom of the body to prevent liquid accumulation.
- ▶ The “inlet”, “outlet”, and “bypass” 1/2” NPT ports are conveniently located on the stationary body 90o apart for easy tubing runs.
- ▶ Therefore, it will not be necessary to disconnect the sample lines to replace filter elements.
- ▶ The four cover bolts have been torqued to 50 ft-lbs at the factory. After the bolts have been loosened or removed, they must be torqued to 50 ft-lbs (or wrench-tight if a torque wrench is not available) to insure proper sealing of the cover.
- ▶ The Kynar gasket must be replaced each time the cover is removed from the body.
- ▶ The Tornado Model 602 may be utilized to remove micron and sub-micron particles from liquid samples.
- ▶ Once flow has begun, establish a “bypass” flow to bring fresh sample to the filter quickly and to provide the selfcleaning action.
- ▶ Choose the appropriate element based on the micron size of the particles to be removed.
- ▶ Particulate will be swept away from the element’s surface by self-cleaning tornadic action.

Figure 1 - Mounting Diagrams & Port Locations

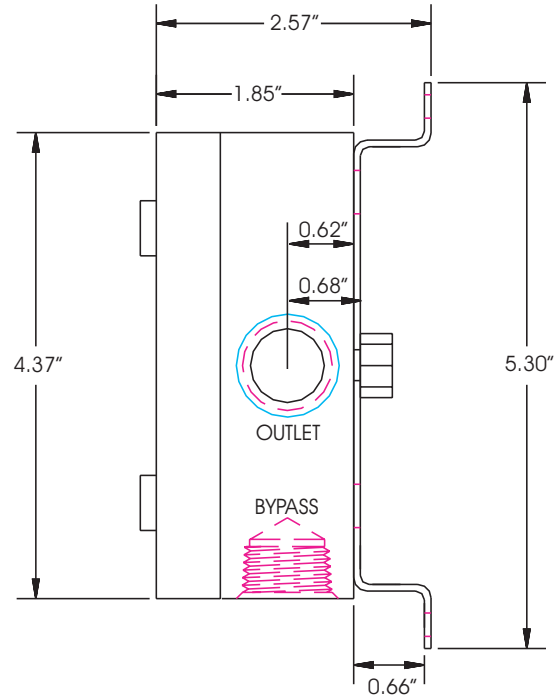


NOTES:

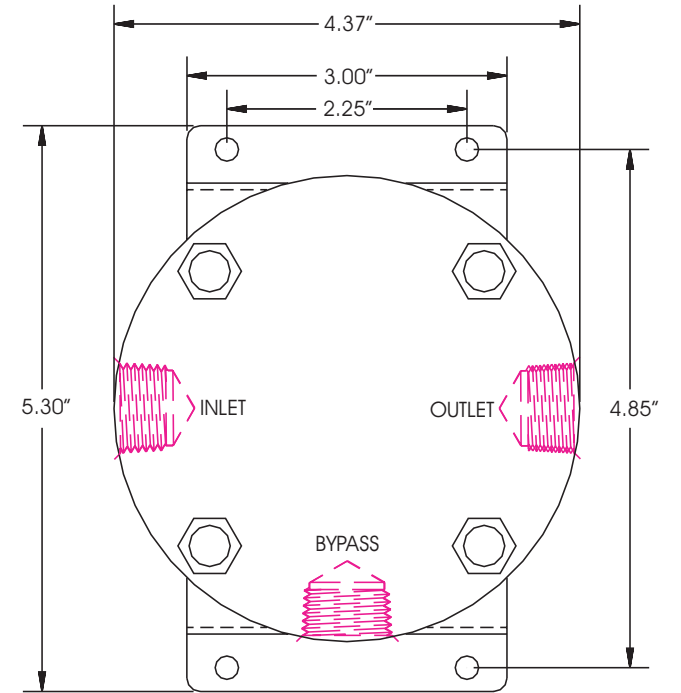
- ▶ Mount bracket to surface with #10 screws
- ▶ All ports are 1/2” NPT
- ▶ Maximum operating pressure 1500 PSIG (at ambient temperature)

Dimensions

Side View



Front View



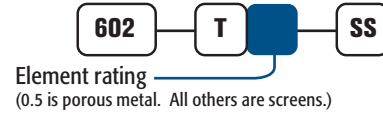
Model Numbering & Additional Part Numbers

Model Numbering & Additional Part Numbers

Your model number is determined by your specific needs. Choose options below.

Element rating	2 = 2 micron	10 = 10 micron	25 = 25 micron	50 = 50 micron	100 = 100 micron
Kit quantity	Blank = Kit of 5	1 = Kit of 1			
Mounting bracket accessory	Part # 602-509-SS (sold separately)				

How to build the model number:



How to build the replacement filter element assembly and seal kit part number:

