

# AVENGER™ 38M

## Particulate & Coalescing Filter

### High performance filters providing the utmost flexibility for coalescing/particulate filtration needs!

The Avenger™ 30M Series Filters provide sample conditioning and analyzer protection by using a disposable filter element to remove solids and liquid droplets from gas sample streams. Genie® Membrane Technology™ with Liquid Block™ can be added as an option to the 30 Series filters, in addition to the disposable filter element. The use of Genie® Membrane Technology™ in these filters will remove 100% of entrained liquid, including aerosols, from the sample stream. The Liquid Block™ will completely valve off flow through the membrane to prevent liquid break-through from occurring in the presence of excess liquid. The Avenger™ 30 Series sample filters are easy to install and maintain, especially in heated, densely populated cabinets. The uniquely designed filter housing allows service to the filter element/membrane by simply removing the bowl without disassembly of the fittings.

The Avenger™ Model 38M is the same size as the Model 38, and contains Genie® Membrane Technology™. The Liquid Block™ is an option for this model. When compared to the Models 33 and 33M, the Model 38M is smaller in size and internal volume making it better suited for lower flow applications.



#### Product Brief

##### Applications

- Continuous sampling in any process industry including natural gas, petrochemical, and oil refining
- Coalescing liquid droplets
- Particulate removal from gas sample streams

##### Benefits

- Analyzer protection against liquid droplets and micron/submicron size particles
- Quick and easy installation and maintenance
- Multiple porting configurations

##### Features

- Genie® Membrane Technology™
- Liquid Block™
- 5 ports
- Horizontal mounting
- All primary connection ports on filter head

#### Technical Specifications

<b>Maximum pressure rating</b>	2,000 psig (137.9 barg)
<b>Maximum Liquid Block™ valve auto-reset pressure</b>	35 psig (2.4 barg) Slowly open the supply pressure so that the minimum differential pressure required to shut off the Liquid Block™ is not met or exceeded.
<b>Maximum temperatures</b>	<b>Type 6 membrane:</b> 185°F (85°C) <b>*Type 7 membrane:</b> 300°F (149°C) *Actual limit depends on sealing material chosen. Refer to Temperature Range Comparison Chart.
<b>Maximum Recommended Flow Rate</b> Results in approx. 2 PSI pressure differential. For higher flow rates, contact the factory.	<b>Type 6 Best Rejection:</b> 0.76 SLPM (1.6 SCFH) <b>Type 7 Highest Temps:</b> 4.7 SLPM (10 SCFH)
<b>Element size</b>	<b>Outside Diameter:</b> ~ 1.4" <b>Inside Diameter:</b> ~ 1.0" <b>Length:</b> ~ 2.5"
<b>Port sizes</b>	1/4" female NPT
<b>Number of ports</b>	5
<b>Internal volume</b>	50 cc
<b>Wetted materials</b>	<b>Machined parts:</b> 316/316L stainless steel / ISO 15156-3 compliant <b>All other metal parts:</b> stainless steel / ISO 15156-3 compliant <b>Sealing material:</b> User defined <b>Membrane:</b> inert

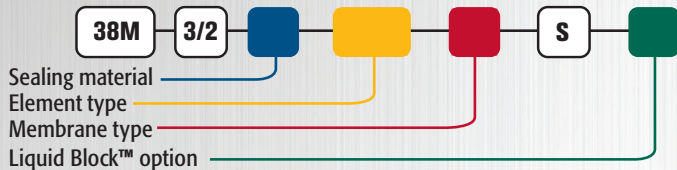


## Model Numbering & Additional Part Numbers

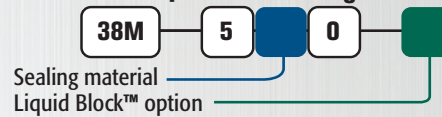
Your model number is determined by your specific needs. Choose options below.

<b>Sealing material</b>	0 = Fluoroelastomer	1 = Perfluoroelastomer	(other materials available upon request)
<b>Element type</b>	07CFS = 0.1 micron coalescer fluorocarbon	SS10 = 10 micron stainless steel	
<b>Membrane type</b>	6 = Better Rejection; Rejects ALL types of liquids from vapor	7 = Highest Temps; Rejects ONLY high surface tension liquids	
<b>Liquid Block™</b>	Blank = No Liquid Block™	L = Liquid Block™	
<b>Mounting bracket accessory</b>	Part # 38-509SS (sold separately)		

### How to build the model number:



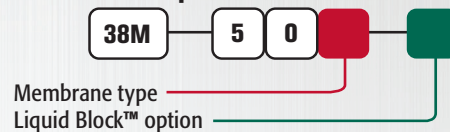
### How to build the replacement o-ring kit number:



### How to build the replacement filter element number:



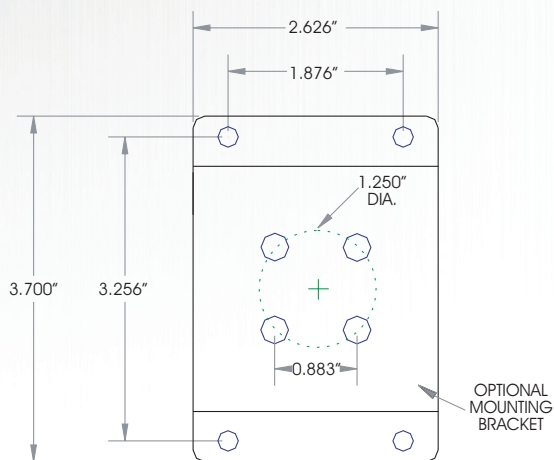
### How to build the replacement membrane kit number:



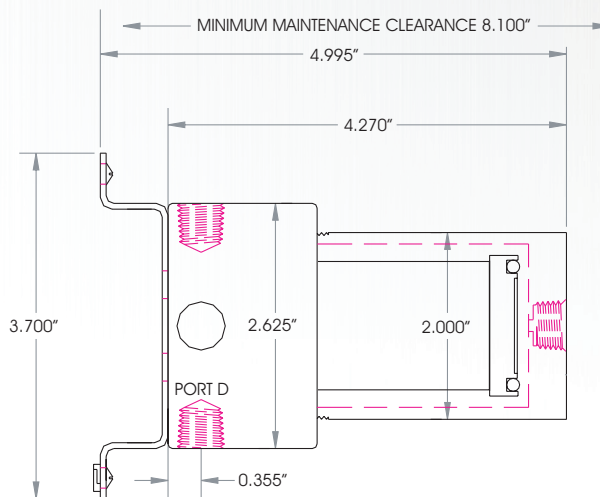
Replacement filter and membrane kits contain 5 each. O-ring replacement kit contains all assembly o-rings.

## Dimensions

Back View



Side View



Analytically Correct™ sample systems, sample conditioning components, and revolutionary gas and liquid sampling technology.

Contact us for expert product application assistance.

1.225.644.5255

sales@geniefilters.com

geniefilters.com

41041 Black Bayou Road, Gonzales, Louisiana 70737

