



A low volume manifold designed specifically for gas sampling

The Genie[®] Regulator Accessory Manifold consists of a Genie[®] Manifold with the following parts attached: pressure gauge, ball valve, and optional relief valve. It is designed to thread directly into any Genie[®] Membrane Probe Regulator[™] or Genie[®] Regulator[™] and provides a means to monitor regulator outlet pressure and block flow. It's straight-through sample flow path, minimal dead volume, and low internal volume make it Analytically Correct[™] and help to preserve sample integrity. The optional relief valve is intended for the protection of the gauge only. The relief valve is not intended to protect any downstream equipment.

Technical Specifications

Maximum pressure rating	Dependant upon pressure gauge selected
Temperature ranges	-4°F (-20°C) to 140°F (60°C)
Outlet port size	Dependant upon ball valve selected
Wetted materials	Machined parts: 316/316L stainless steel Ball Valve Seal Material: PTFE Relief Valve Seal material: Neoprene rubber

Product Brief

Applications

- For use with any Genie[®] Membrane Probe Regulator[™] or Genie[®] Regulator[™]

Benefits

- Monitors regulator outlet pressure
- Blocks regulator outlet flow
- Helps preserve sample integrity
- Helps improve safety of personnel and equipment
- Economical

Features

- Minimal dead volume and surface area
- 1/10th the volume of a 1/4" NPT cross fitting
- Compact, Analytically Correct[™] design



Model Numbering & Additional Part Numbers

Your model number is determined by your specific needs. Choose options below.

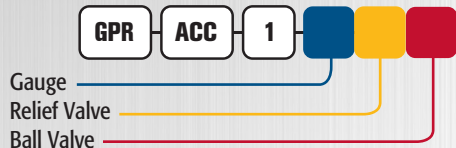
Gauge (psig)	0 = None	1 = 0-60	2 = 0-100	3 = 0-200
	4 = 0-300	5 = 0-600	6 = 0-15	9 = 0-30

Relief Valve (psig) <i>For protection of gauge only.</i>	0 = None	1 = 60	2 = 100	3 = 250
	4 = 500	6 = 25	7 = 12	

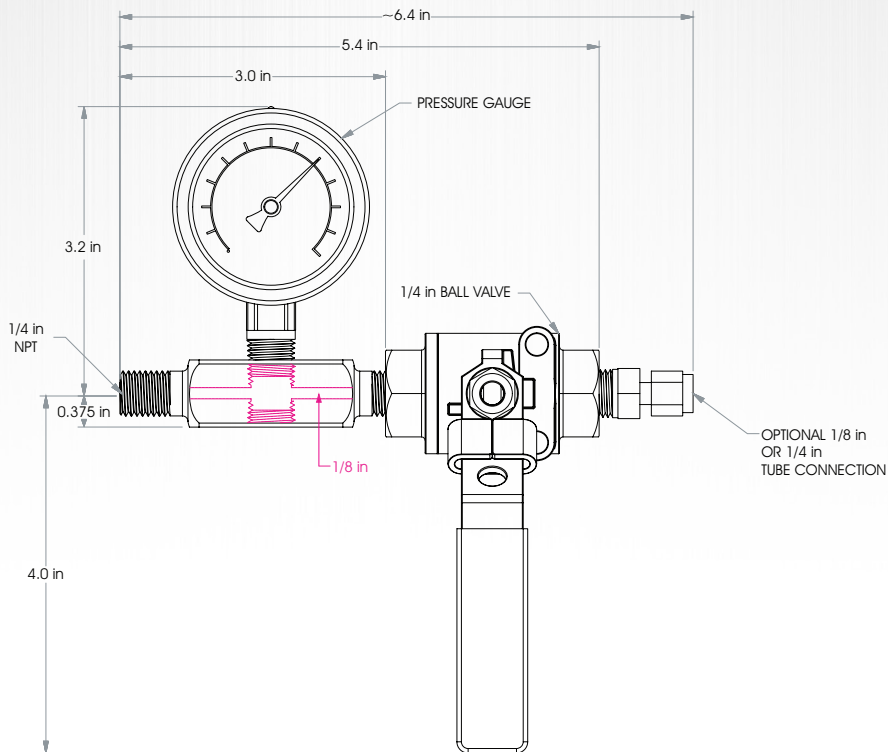
Ball Valve	0 = None	1 = with 1/4" FNPT port
	2 = with 1/8" tube connector*	4 = with 1/4" tube connector*

*This connector is installed into the outlet port of ball valve

How to build the model number:



Dimensions



Analytically Correct™ sample systems, sample conditioning components, and revolutionary gas and liquid sampling technology.

Contact us for expert product application assistance.

1.225.644.5255

sales@geniefilters.com

geniefilters.com

41041 Black Bayou Road, Gonzales, Louisiana 70737

