

FUNCTION	TERMINALS	U _i	I _i	P _i	C _i	L _i	U _o	I _o	P _o	C _o	L _o
		V	mA	mW	µF	mH	V	mA	mW	µF	mH
STANDARD I/O											
LOOP POWER SUPPLY	PWR0+	29	100	670	0.03	0.3	---	---	---	---	---
	PWR0-										
FREQUENCY/PULSE OUTPUT	D0A	29	100	670	0.03	0.3	---	---	---	---	---
	D0B										
SLOT 1, RS485 Option board (01-0020)											
POWER SUPPLY	PWR1+	28	100	670	0.03	0.3	---	---	---	---	---
	PWR1-										
RS485 COMMUNICATION	D1A	4.2	250	250	20	neg	4.12	150	150	---	---
	D1B										
FREQUENCY/PULSE OUTPUT	D2A	15	100	250	0.03	0.02	---	---	---	---	---
	D2B										
FREQUENCY/PULSE OUTPUT	D3A	15	100	250	0.03	0.02	---	---	---	---	---
	D3B										
SLOT 1, RS485 IO 4..20mA option board (01-0202)											
LOOP POWER SUPPLY /4..20mA	PWR1+	29	100	670	0.03	0.3	---	---	---	---	---
	PWR1-										
RS485 COMMUNICATION	D1A	4.2	250	250	20	neg	4.12	150	150	---	---
	D1B										
FREQUENCY/PULSE OUTPUT	D2A	15.5	100	250	0.03	0.02	---	---	---	---	---
	D2B										
FREQUENCY/PULSE OUTPUT	D3A	15.5	100	250	0.03	0.02	---	---	---	---	---
	D3B										
SLOT 1, Dual RS485 IO option board (01-0251)											
LOOP POWER SUPPLY /4..20mA	PWR1+	29	100	670	0.03	0.3	---	---	---	---	---
	PWR1-										
RS485 COMMUNICATION - PORT 1	D1A	4.2	250	250	20	neg	4.12	150	150	---	---
	D1B										
FREQUENCY/PULSE OUTPUT	D2A	15.5	100	250	0.03	0.02	---	---	---	---	---
	D2B										
FREQUENCY/PULSE OUTPUT	D3A	15.5	100	250	0.03	0.02	---	---	---	---	---
	D3B										
RS485 COMMUNICATION - PORT 2	D4A	4.2	250	250	20	neg	4.12	150	150	---	---
	D4B										
PRESSURE / TEMPERATURE	PRESS	REFER TO SAFETY INSTRUCTIONS FOR INTERCONNECTION TO APPROVED EQUIPMENT									
	TEMP	CABLE LENGTH NOT TO EXCEED 2 meter (6.7ft)									
SLOT 2, P/T option board (01-0022)											
PRESSURE	PRESS1	REFER TO SAFETY INSTRUCTIONS FOR INTERCONNECTION TO APPROVED EQUIPMENT									
	PRESS2										
	PRESS3										
	PRESS4										
TEMPERATURE	TEMP1	CABLE LENGTH NOT TO EXCEED 2 meter (6.7ft)									
	TEMP2										
	TEMP3										
	TEMP4										
SLOT 2, 4..20mA HART option board (01-0203)											
POWER SUPPLY	LPWR2+	29	100	670	0.03	0.3	---	---	---	---	---
	LPWR2-										

UIM Electronics assembly model number	
UIME-AB-C-DEFGH	
A	x Number of paths (1 to 4)
B	x Application type
C	x Meter size
D - SLOT 1	0 Not installed 1 RS485 Option board (01-0020) 2 RS485 IO 4..20mA option board (01-0202) 3 Dual RS485 IO option board (01-0251)
E - SLOT 2	0 Not installed 1 P/T option board (01-0022) 2 4..20mA HART option board (01-0203) 3 Dual RS485 IO option board (01-0251)
F - LCD	0 Not installed 1 Installed 2 SS316 enclosure with display/keypad
G	1 M20 cable gland entries 2 1/2" NPT cable gland entries
H	x options, not affecting explosion safety

LOCATE THE UIM MODEL NUMBER ON THE NAMEPLATE OF THE ENCLOSURE AND REFER TO TABLE FOR SPECIFIC INTRINSIC SAFETY PARAMETERS

Ex ia IIC T4 Ga
-40°C ≤ Tamb ≤ +60°C
IECEX DEK16.0007X

CE 0344
II 1 G Ex ia IIC T4 Ga
-40°C ≤ Tamb ≤ +60°C
DEKRA 16ATEX0014 X

UNLESS OTHERWISE SPECIFIED:
DIMENSIONS ARE IN MILLIMETERS
SURFACE FINISH: Ra<0.8
TOLERANCES: ACC. TO ISO/DIN 2768-mK

DEBUR AND
BREAK SHARP
EDGES

DO NOT SCALE DRAWING

REVISION DWG A-08

REVISION PRT/ASM



TITLE:
**Control drawing
ATEX/IECEX**

NAME	SIGNATURE	DATE	MATERIAL:
DRAWN		3-6-2020	

DWG NO. **01_0198** A3

DATE PRINTED: 18-6-2020

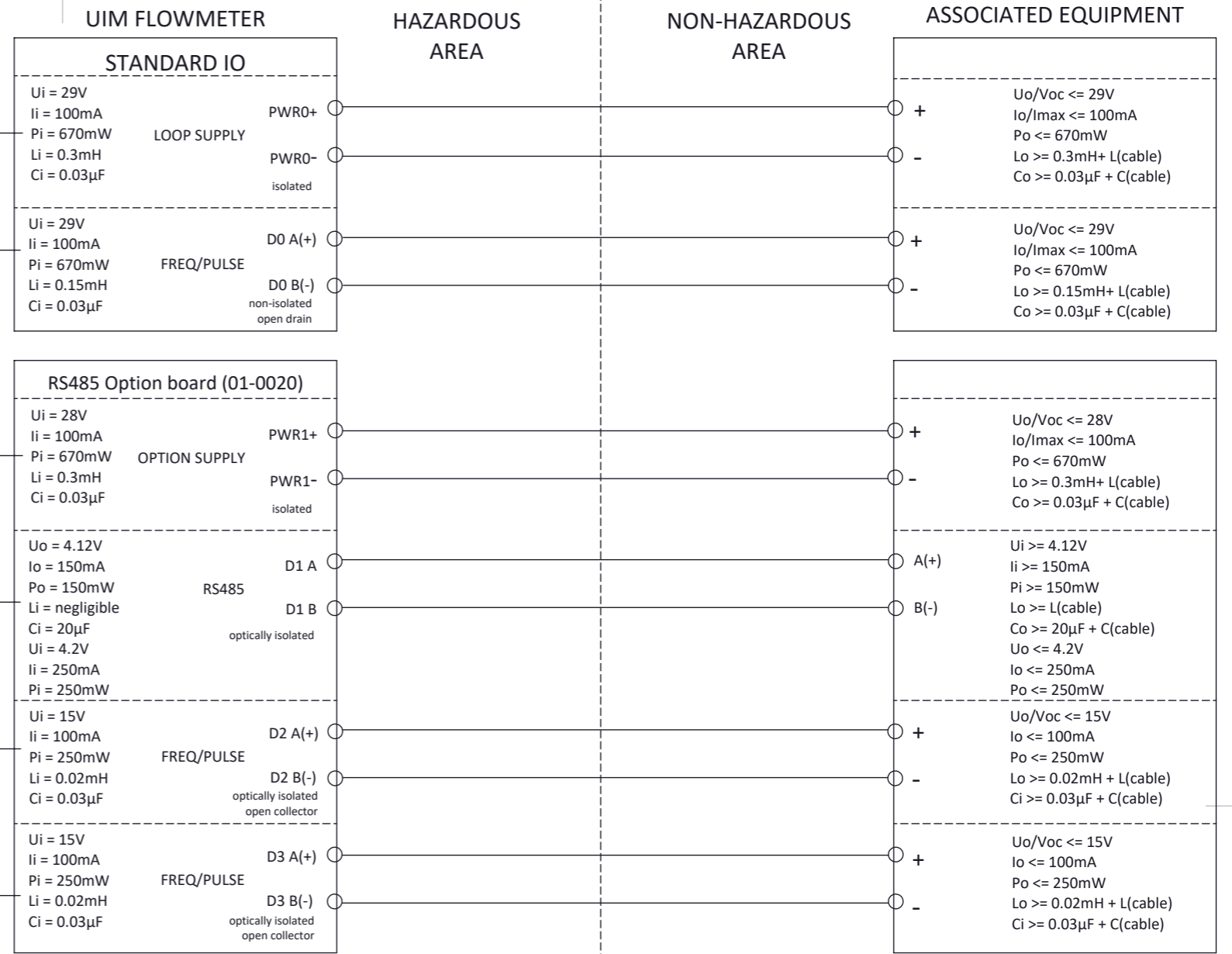
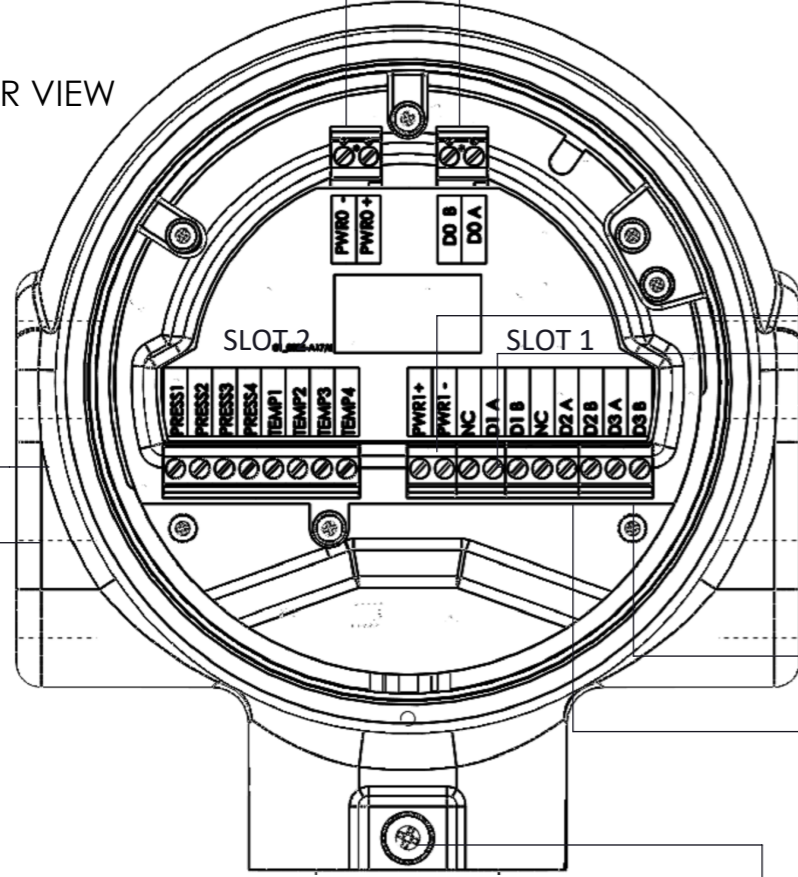
WEIGHT:

SCALE:1:1

SHEET 1 OF 4

SLOT 1 FITTED WITH RS485 option board (01-0020)
 SLOT 2 FITTED WITH PT option board (01-0022)

REAR VIEW



Ultrasonic transducers
 Up to 4 pairs

FLOWBODY

Optional Ex ia
 Pressure sensor

Optional Ex ia
 temperature sensor

Warning!
 EXPLOSION HAZARD
 SUBSTITUTION OF COMPONENTS MAY IMPAIR INTRINSIC SAFETY

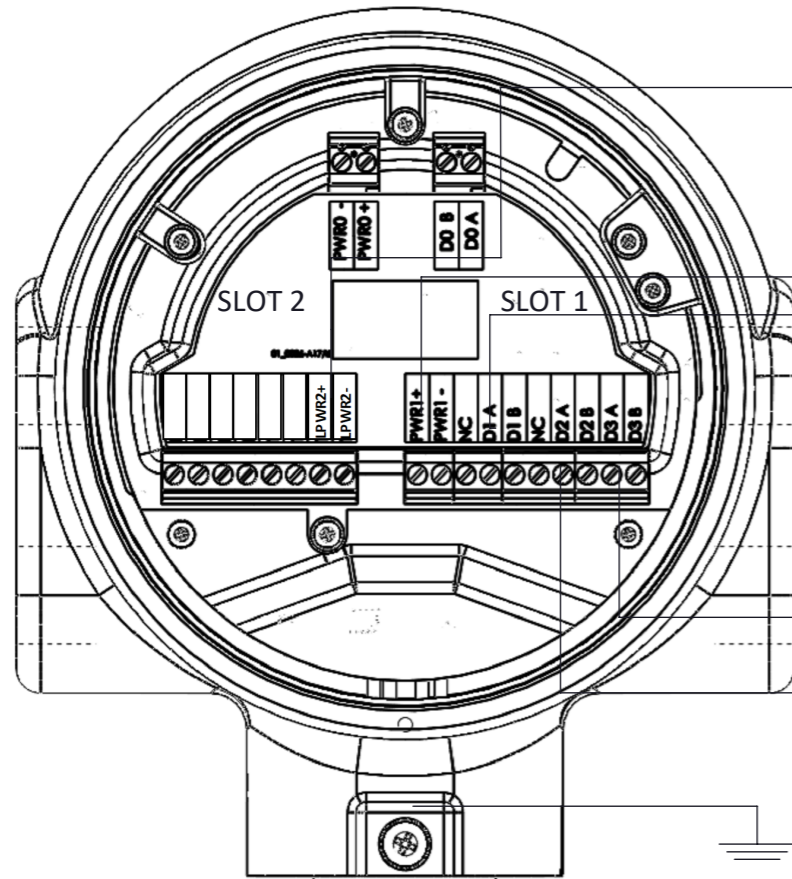
Only for interconnection with Exi or [Exi] Associated equipment.

Comply with EU directive 2014/34/EU
 And EN/IEC 60079-0 EN/IEC60079-11

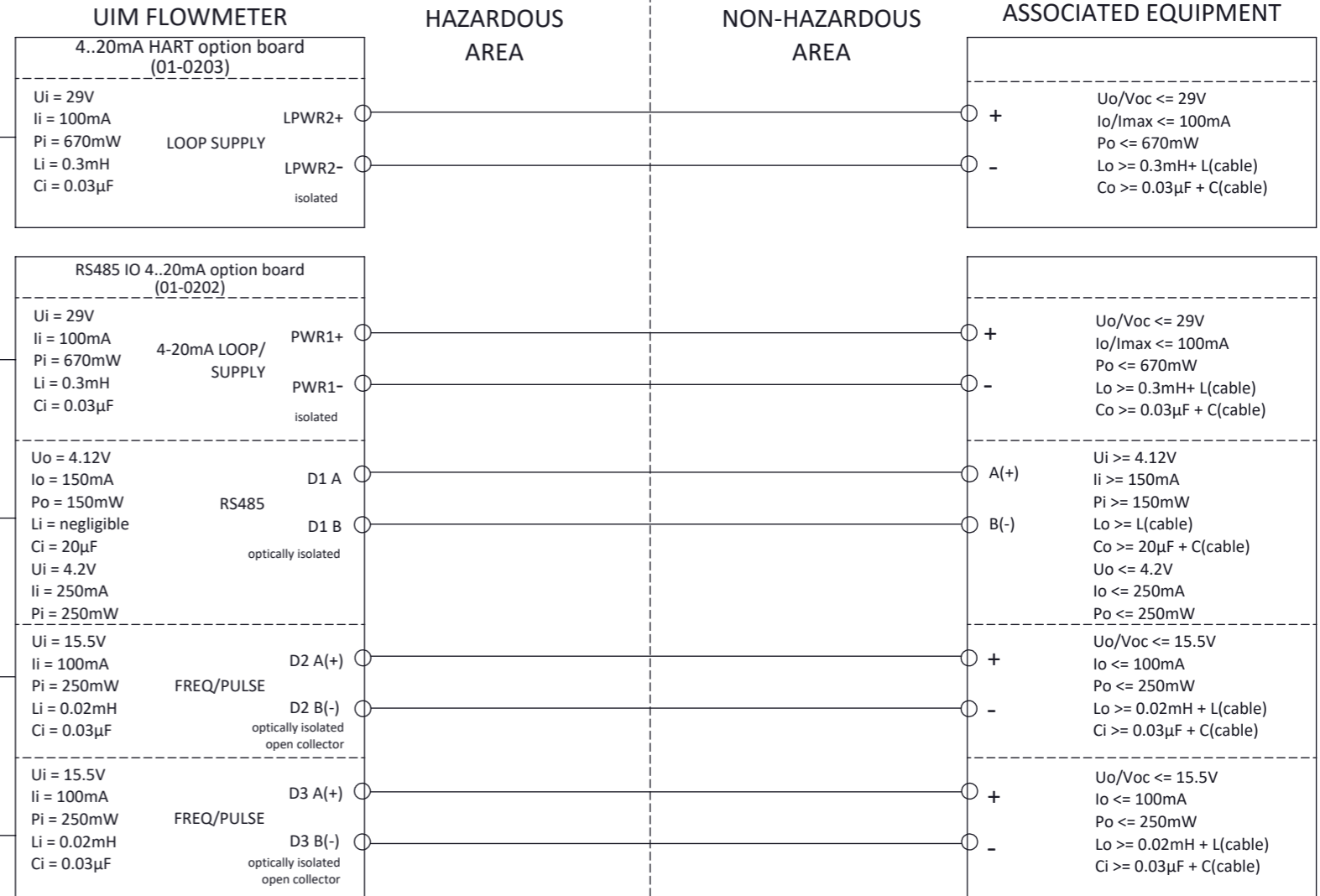
INSTALL PER IEC 60079-14

UNLESS OTHERWISE SPECIFIED: DIMENSIONS ARE IN MILLIMETERS SURFACE FINISH: Ra<0.8 TOLERANCES: ACC. TO ISO/DIN 2768-mK		DEBUR AND BREAK SHARP EDGES	DO NOT SCALE DRAWING	REVISION DWG	A-08
			REVISION PRT/ASM		
		TITLE:		Control drawing ATEX/IECEX	
NAME	SIGNATURE	DATE	MATERIAL:	DWG NO.	A3
DRAWN		3-6-2020	AI31 304	01_0198	
DATE PRINTED: 18-6-2020		WEIGHT:	SCALE:1:1	SHEET 2 OF 4	

REAR VIEW



SLOT 1 FITTED WITH RS485 4..20mA option board
SLOT 2 FITTED WITH 4..20mA HART option board



Warning!
EXPLOSION HAZARD
SUBSTITUTION OF COMPONENTS MAY IMPAIR INTRINSIC SAFETY

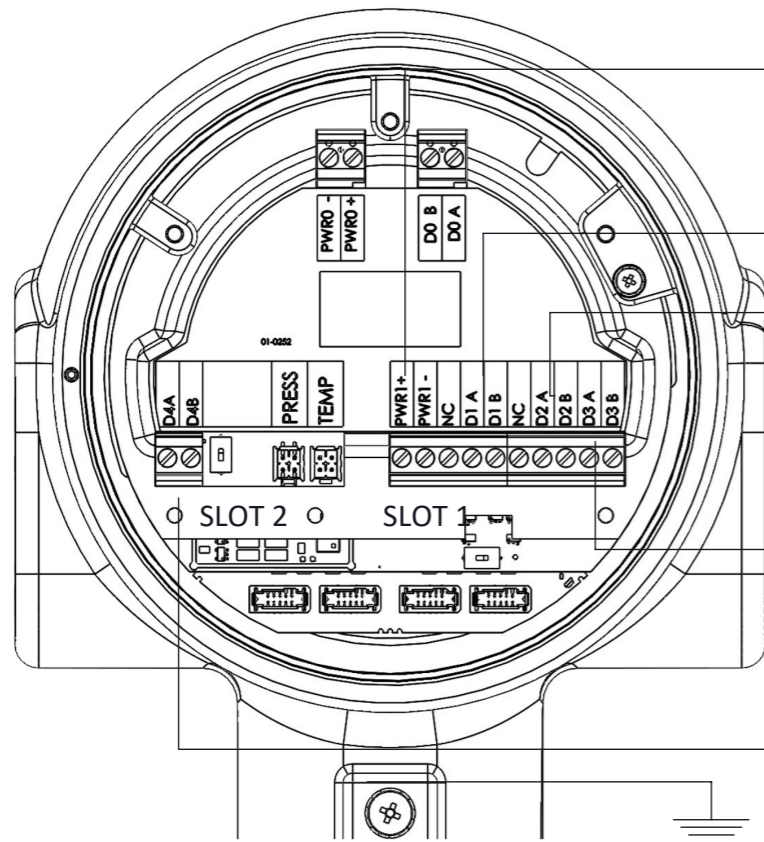
Only for interconnection with Exi or [Exi] Associated equipment.

Comply with EU directive 2014/34/EU
And EN/IEC 60079-0 EN/IEC60079-11

INSTALL PER IEC 60079-14

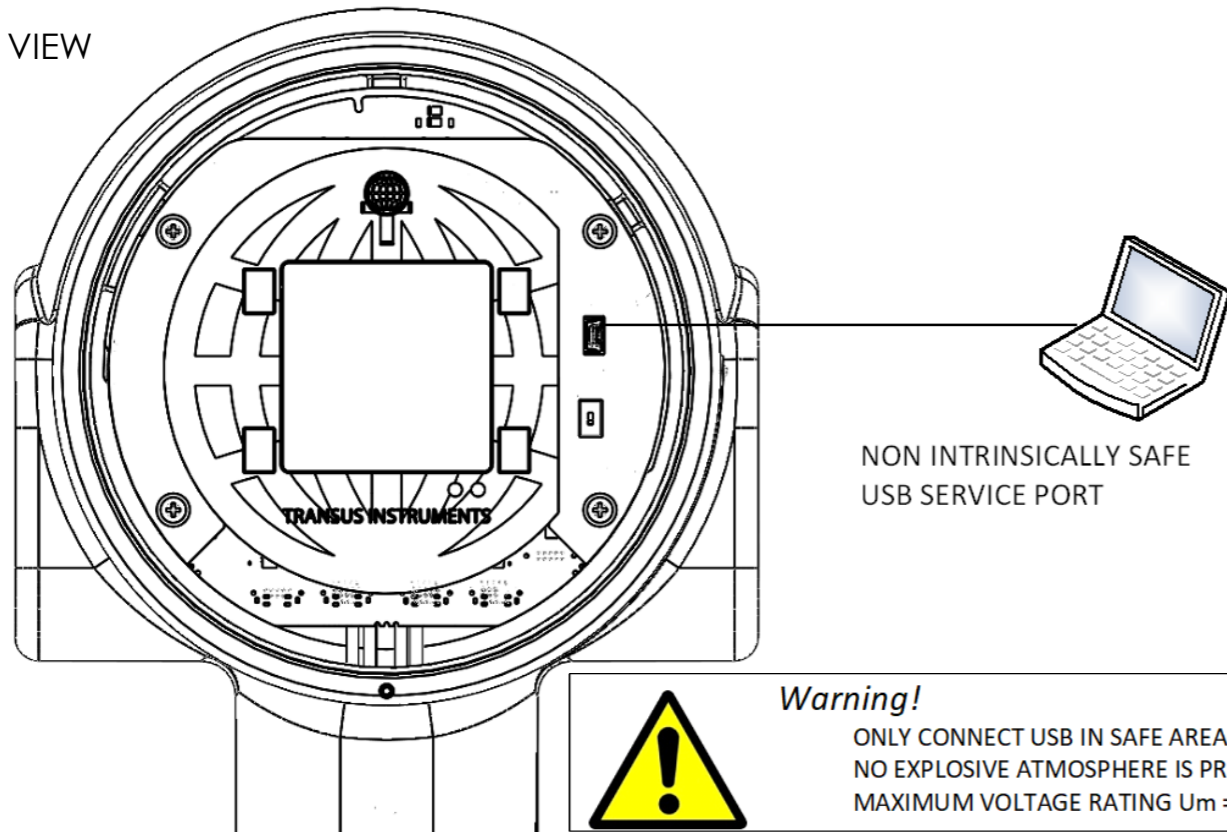
UNLESS OTHERWISE SPECIFIED: DIMENSIONS ARE IN MILLIMETERS SURFACE FINISH: Ra<0.8 TOLERANCES: ACC. TO ISO/DIN 2768-mK			DEBUR AND BREAK SHARP EDGES	DO NOT SCALE DRAWING	REVISION DWG	A-08
					REVISION PRT/ASM	
				TITLE: Control drawing ATEX/IECEx		
NAME	SIGNATURE	DATE	MATERIAL:	DWG NO.	A3	
DRAWN		3-6-2020	AI SI 304	01_0198		
DATE PRINTED: 18-6-2020			WEIGHT:	SCALE:1:1	SHEET 3 OF 4	

REAR VIEW



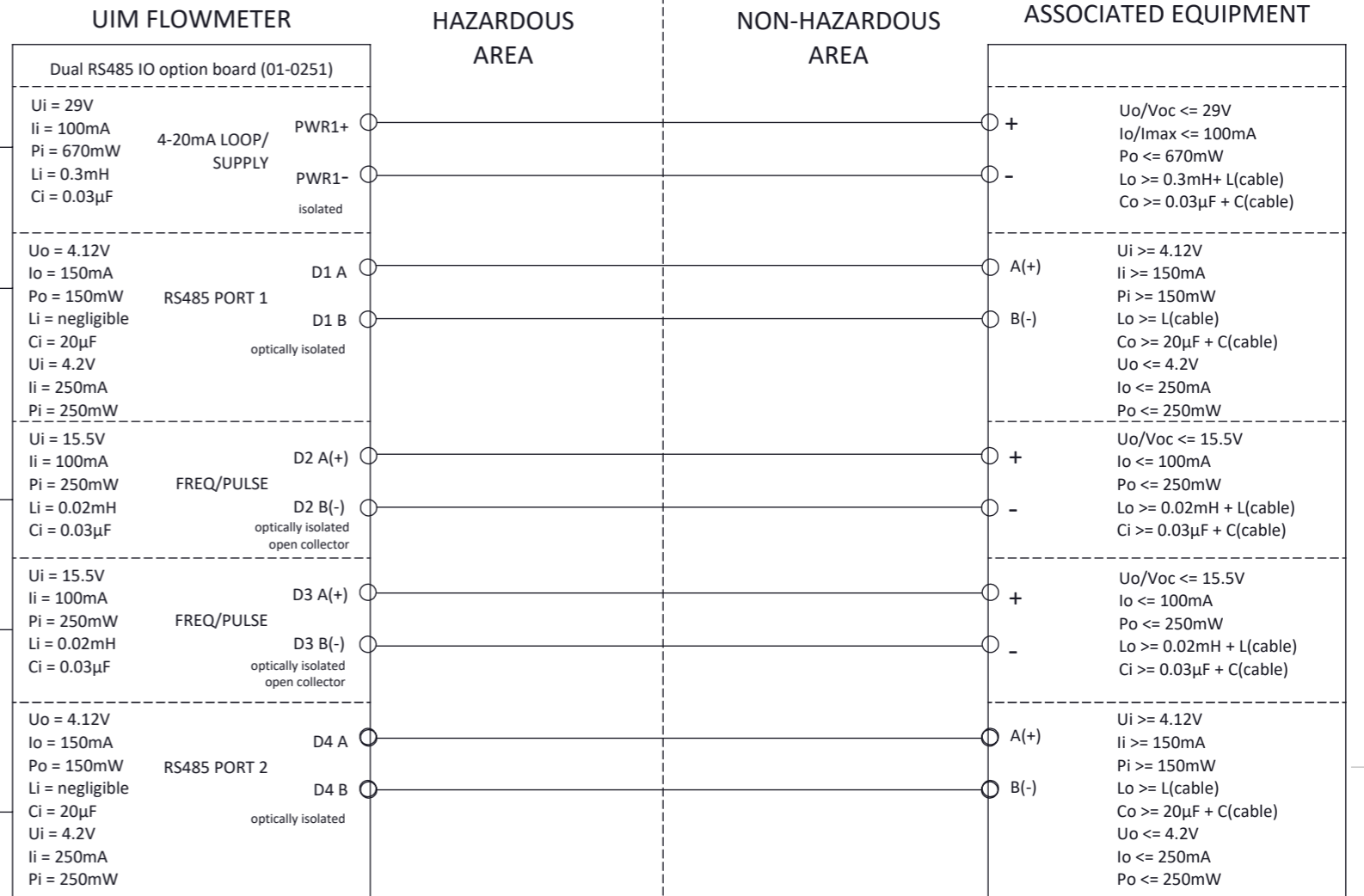
SLOT 1 AND SLOT 2 FITTED WITH Dual RS485 option board

FRONT VIEW



NON INTRINSICALLY SAFE
USB SERVICE PORT

Warning!
ONLY CONNECT USB IN SAFE AREA OR ENSURE NO EXPLOSIVE ATMOSPHERE IS PRESENT.
MAXIMUM VOLTAGE RATING $U_m = 250$ VAC



Warning!
EXPLOSION HAZARD
SUBSTITUTION OF COMPONENTS MAY IMPAIR INTRINSIC SAFETY

Only for interconnection with Exi or [Exi] Associated equipment.

Comply with EU directive 2014/34/EU
And EN/IEC 60079-0 EN/IEC60079-11

INSTALL PER IEC 60079-14

UNLESS OTHERWISE SPECIFIED: DIMENSIONS ARE IN MILLIMETERS SURFACE FINISH: Ra<0.8 TOLERANCES: ACC. TO ISO/DIN 2768-mK		DEBUR AND BREAK SHARP EDGES	DO NOT SCALE DRAWING	REVISION DWG	A-08
				REVISION PRT/ASM	
		TITLE:		Control drawing ATEX/IECEx	
NAME	SIGNATURE	DATE	MATERIAL:	DWG NO.	A3
DRAWN		3-6-2020	AI31 304	01_0198	
DATE PRINTED: 18-6-2020		WEIGHT:	SCALE:1:1	SHEET 4 OF 4	